

SLIDING DOOR: INSTALLATION INSTRUCTION

SERIES 1200 LED DOOR

Version 1.5 (2019-10-08)

4.03.1.c

Installation  easy medium difficult

Subject to technical changes.

raumplus

CONTENT AND TOOLS

CONTENT:

Content and tools	page	02
Product information	page	03
Manual	page	05
Accessories	page	06
Installation instruction	page	07
Circuit diagram	page	17
Detail drawings	page	20
Possible sources of error	page	23

TOOLS:

(without claim of completeness)

- Hack saw
- Allen key set
- Drilling machine
- Drill set metall / stone
- Screwdriver set
- Pencil
- Water level
- Screwdriver TX8



VERSION INFORMATION:








Version 1.1: Added system information
Version 1.2: Added stopper for bottom track
Version 1.3: LED 4-channel control & grommets to cable markers added
Version 1.4: Cover profile for the top rail added
Version 1.5: Exchanged LED cover profile

PRODUCT INFORMATION

GENERAL INFORMATION: Preparation

- This manual is part of the product and describes the safe and proper installation of the system. Please read the instructions carefully before installation
- Please note that the assembly should only be done by qualified and trained staff in strict compliance with all details indicated in this document. Improper installation in variation from manufacturer's specification may cause defects and danger, thus endangering the safe fixing of the product as well as the safety of the prospective user. The liability of the manufacturer shall be excluded in case of defects and consequential damages resulting from incorrect assembly of this product.
- Please check the completeness of the delivered parts and check carefully if any transport damages are visible.
- If any parts are damaged or lost, please immediately contact the responsible supplier.
- It is assumed that you have exactly identified all cutting dimensions according to the measurement instruction for **raumplus** products.

SYMBOLE:

Symbol	Importance
	Risk or danger!
	Advice and information
	Additional information / other documents
	Directional data / direction of movement
	„yes“ and „right“
	„no“ and „wrong“
	Follow the order

SYSTEM:

System Information: S1200 LED 24V System

- max. weight of element = **180 kg**
- min./max. door height = **700 mm / 2750 mm**
- min./max. door width = **500 mm / 1400 mm**
- Calculation (W): **1 m = 7,8 W** Max **60W** per door.

60W = 7,69m LED strip

PRODUCT INFORMATION

GENERAL INFORMATION: **Product safety**

- The door system complies with the prior of the art and the authorized safety rules at the time of delivery.

USE:

Intended use

- The prerequisite for the intended use of our products is the professional installation according to our installation instruction. Sufficient fittings must be available and durably installed to all relevant places. The function of the fittings must not be hindered or altered during installation.
- Special solutions are only possible in consultation with **raumplus**.

Incorrect use

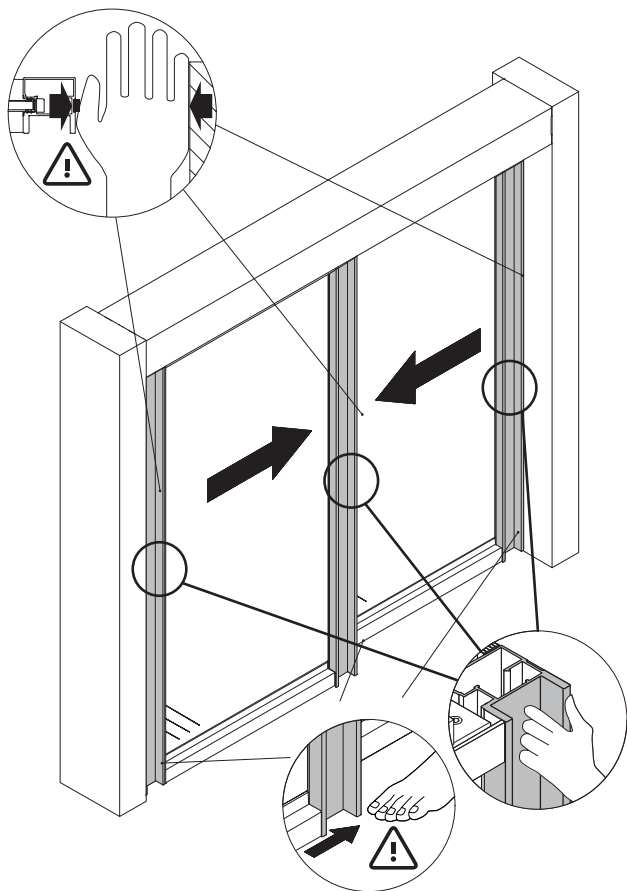
- Risk or danger may occur in the following cases:
 - the door system has improperly been installed or maintained
 - the safety and installation instructions have not been followed.
 - after improper installation or inadequate fixing (e.g. to parts of buildings)
 - the maximum weight of the doors has been exceeded.
 - the maximum wattage of EVG's (electronic ballast) is exceeded.
 - improper shock and case loads or other additional loads on the fittings have occurred
 - the fittings have been used outside.
 - body parts or objects got into the closing edges or door runnings during use of the door wing.
 - the door system is not used as intended.

Structural modifications

- Structural modifications that are not offered as an accessory from **raumplus** may only be attached or installed with permission of **raumplus GmbH**!

MANUAL

This manual is part of the delivered product and describes the safe and proper use.



Designated use:

The product is designed and manufactured for indoor use.

The product was designed as a hand-guided sliding door that is usually not being moved faster than walking speed and should be stopped manually when reaching the end position. The doors are guided on top and bottom track.

Any other use that deviates from the specific proper use is not according to the **raumplus** regulations.

Manual:

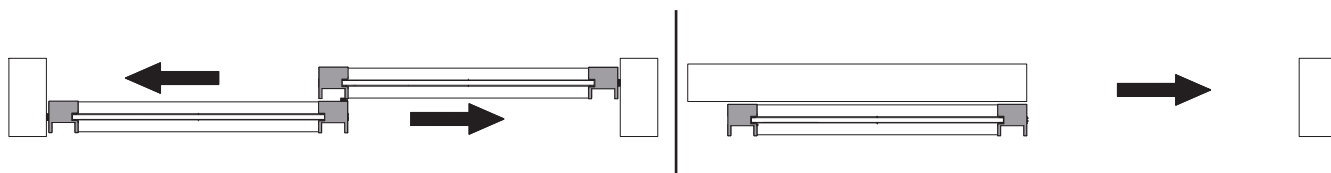
Open the door by using the handle profile or the handle (optional).

Guide the door slowly to the ...
... opening / closing point

Attention:



Preserve your hands from getting trapped during the movement of the door. When closing or opening the door never take hold of the profile, only use the handle profile or the handle.

Use the door as instructed.



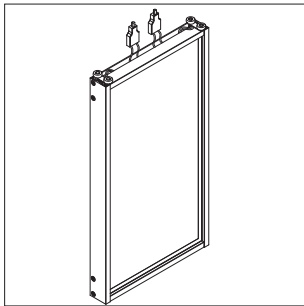
Safety Information:

The product complies with the prior of the art and the approved safety rules at the time of delivery.

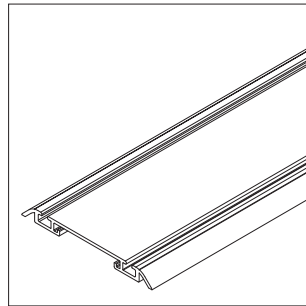
- Pay attention to child safety.
- No additional load to the doors.
- Structural changes, additions or modifications can only be carried out by a distributor.
- In case of malfunctions or irregularities: shut down the system and contact your dealer.
-  For Installation without wall connection: use of top / bottom stopper is obligatory 

As defined in the „Law of Liability for Products“ (§4 Prod-HaftG), for the liability of the manufacturer, for his products, the above information has to be regarded. The disregard of this manual, releases the manufacturer from his liability.

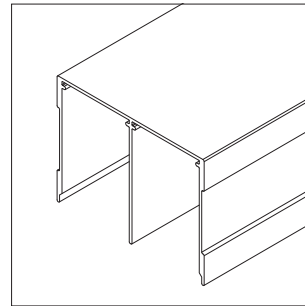
ACCESSORIES



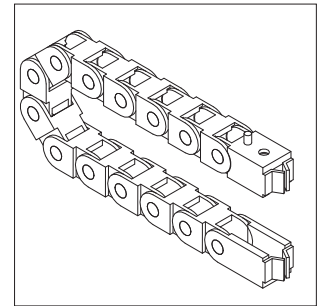
1_



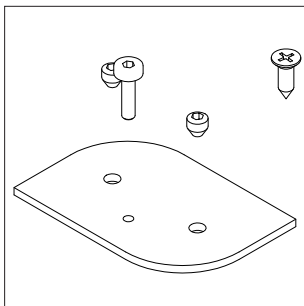
2_ 14.08.0xx



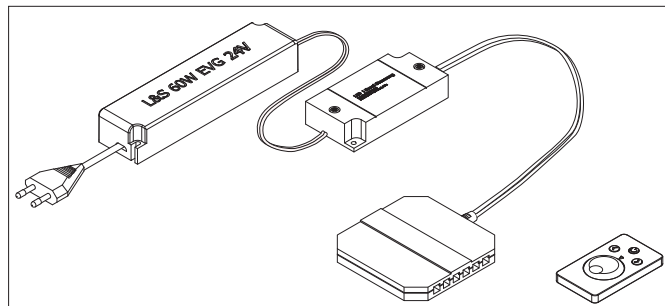
3_ 14.85.0xx



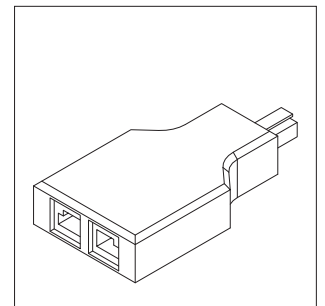
4_ 10.42.046



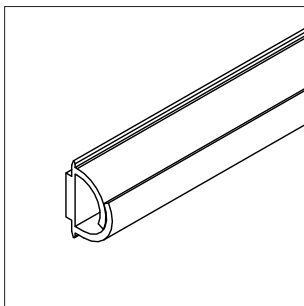
5_ 10.42.063



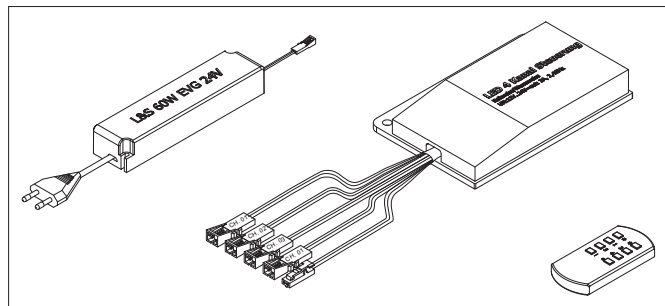
6_ 10.42.030



7_ 10.42.043



8_ 10.42.049

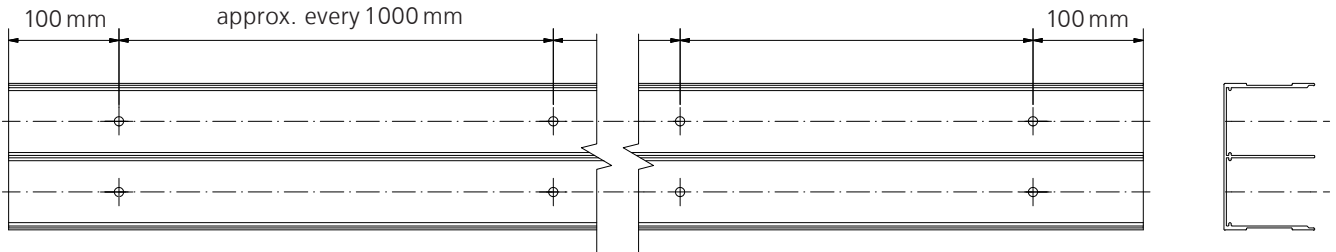


9_ 10.42.035

- | | |
|--|-------------|
| 1_ S1200 LED-door | |
| 2_ Bottom track double | |
| 3_ Top track double, 60mm height | |
| 4_ Energy chain / Connection element set | |
| 5_ Mounting plate set energy chain | |
| 6_ LED 1 channel control
incl. EVG + remote control | |
| 7_ LED Y- distributor | |
| 8_ Cable channel self-adhesive | |
| 9_ LED 4-channel control incl. EVG
and remote control, STARTER-KIT | |
| without illustration: | |
| 10_ Bump stop | (20.08.566) |
| 11_ LED extension 5000 mm | (10.42.044) |
| 12_ LED 1-channel control order set
incl. EVG, without remote control | (10.42.031) |
| 13_ LED 4-channel control order set
incl. EVG, without remote control | (10.42.036) |
| 14_ Top track single, 60mm height | (14.65.0xx) |
| 15_ Stopper for bottom track | (10.01.03x) |
| 16_ Position spring f. bottom track | (10.01.x30) |
| 17_ Grommet for top track (side) | (10.42.056) |
| 18_ Grommet for top track (top) | (10.42.055) |
| 19_ Cover profile for LED | (80.24.010) |
| 20_ Felt strips | (27.01.035) |

INSTALLATION INSTRUCTION

TOP TRACK PREPARATION / ASSEMBLY



Top tracks are supplied with low excess length and must be shortened on site.

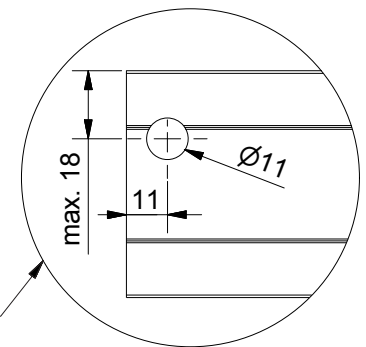


If using a wall connection double track, this has to be mounted first according to our separate assembly instructions.

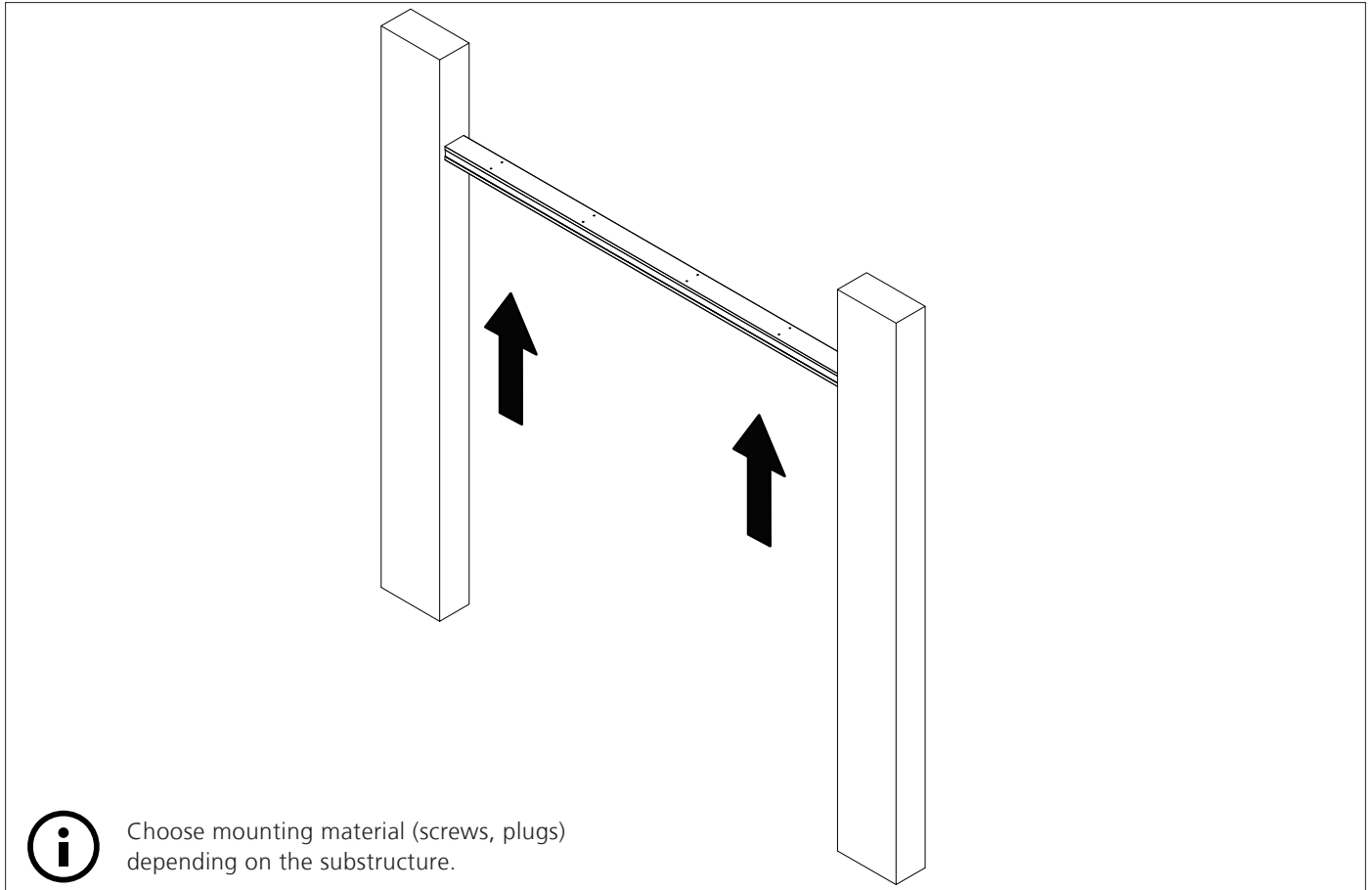


For a suspended ceiling system, please check the installation on **page 15**.

Attention: In case of a concrete ceiling/cable channel, please note the installation on **page 16**.



1_ Shorten top track to final dimension and drill holes

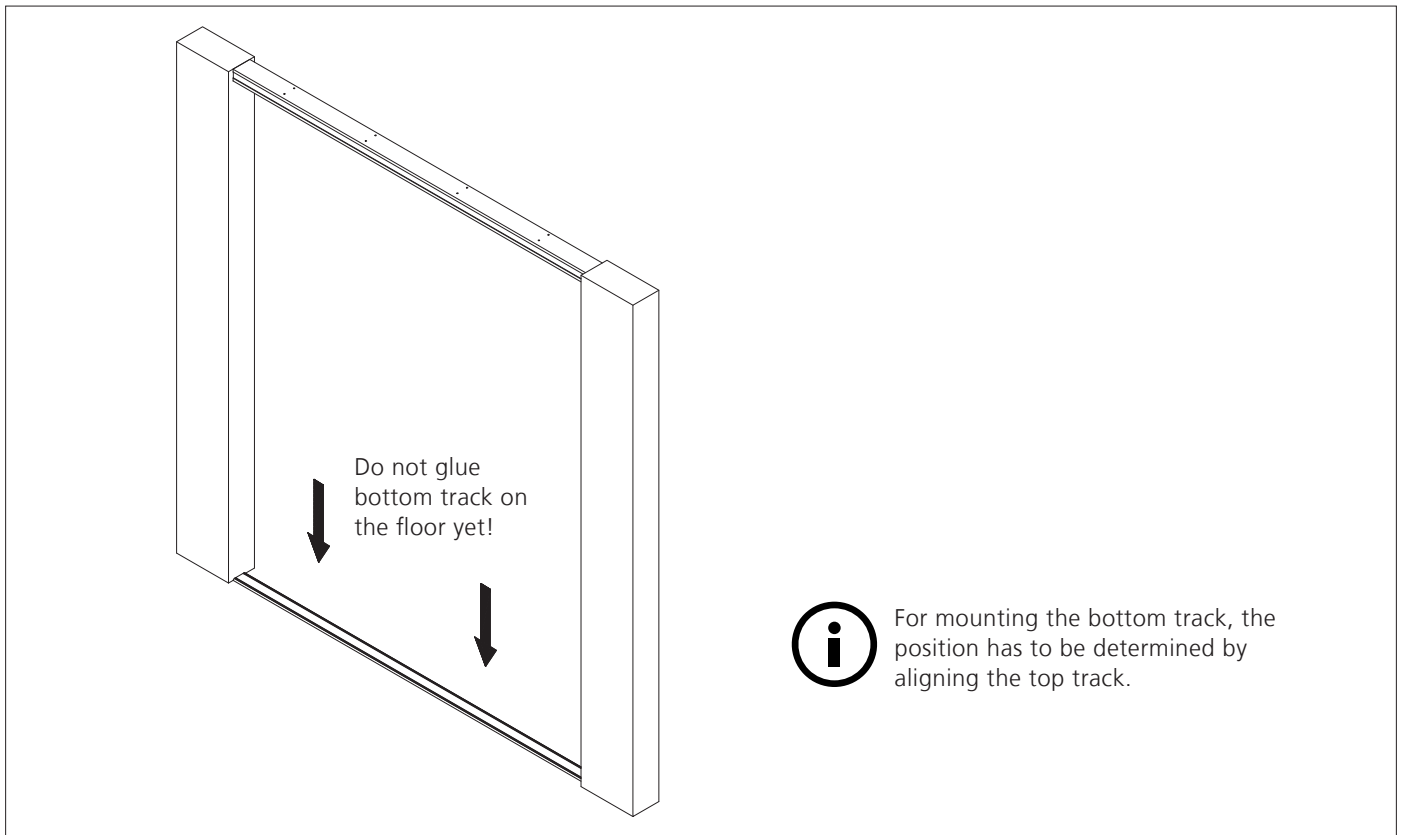


Choose mounting material (screws, plugs) depending on the substructure.

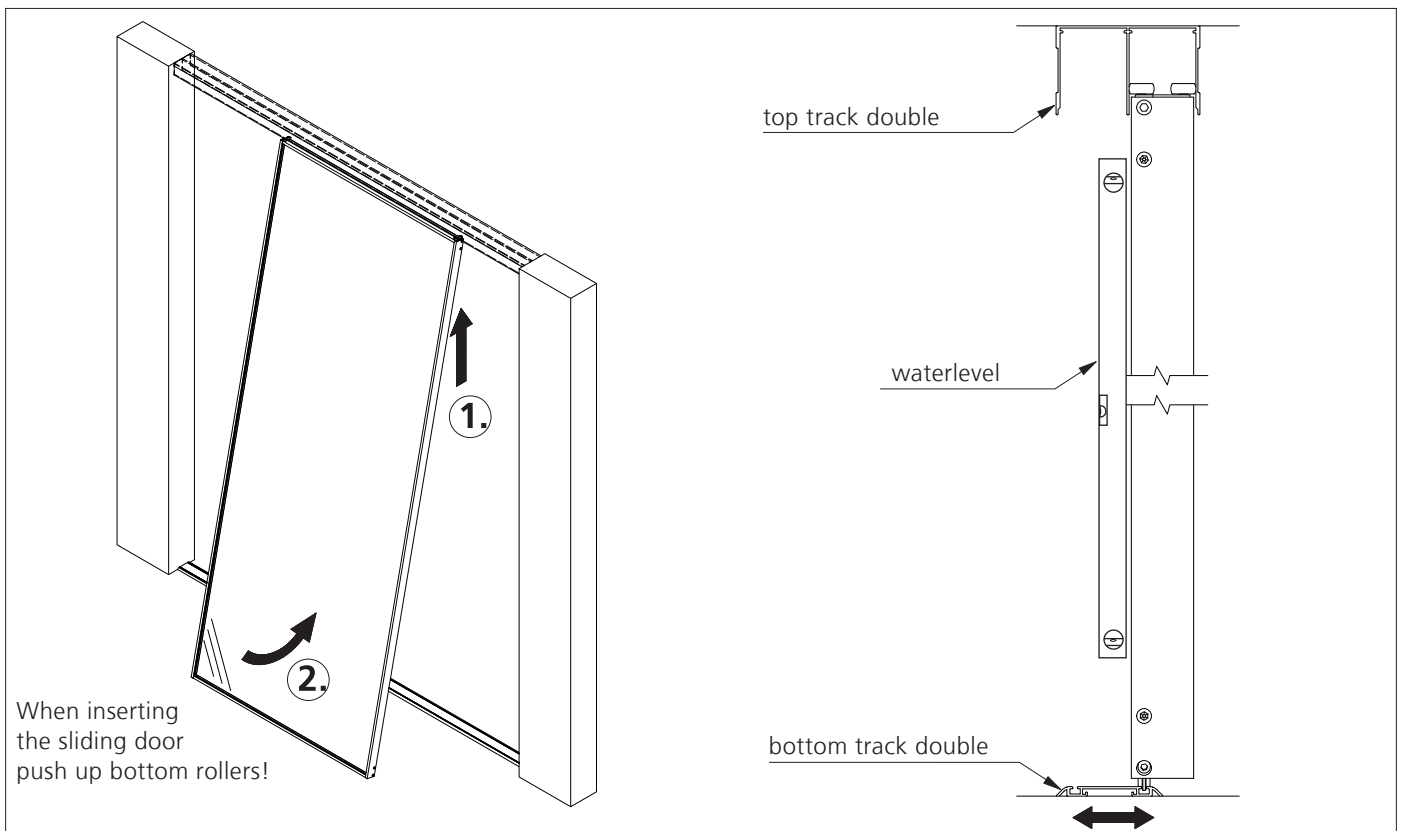
2_ Drill holes and mount top track (fig.: without ceiling)

INSTALLATION INSTRUCTION

SHORTEN BOTTOM TRACK / MARK POSITION



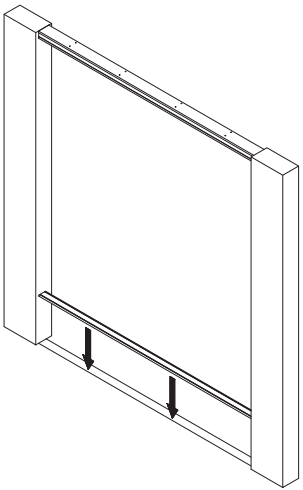
3_ Shorten bottom track to final dimension and position it nearly in the centre under the top track



4_ Insert sliding door, align perpendicularly by moving bottom track, mark position with masking tape

INSTALLATION INSTRUCTION

STICK ON BOTTOM TRACK



When using an insert bottom track, all carpets, laminates or tiles have to be cut in order to fit in the bottom track.


If no wall connection is present, a door stopper must be used

Before assembling the bottom track, please move the bottom stopper (Position spring for bottom track) into the roller guide of the track and make sure the stopper is inserted correctly.

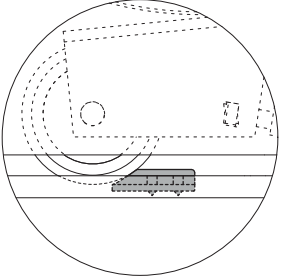
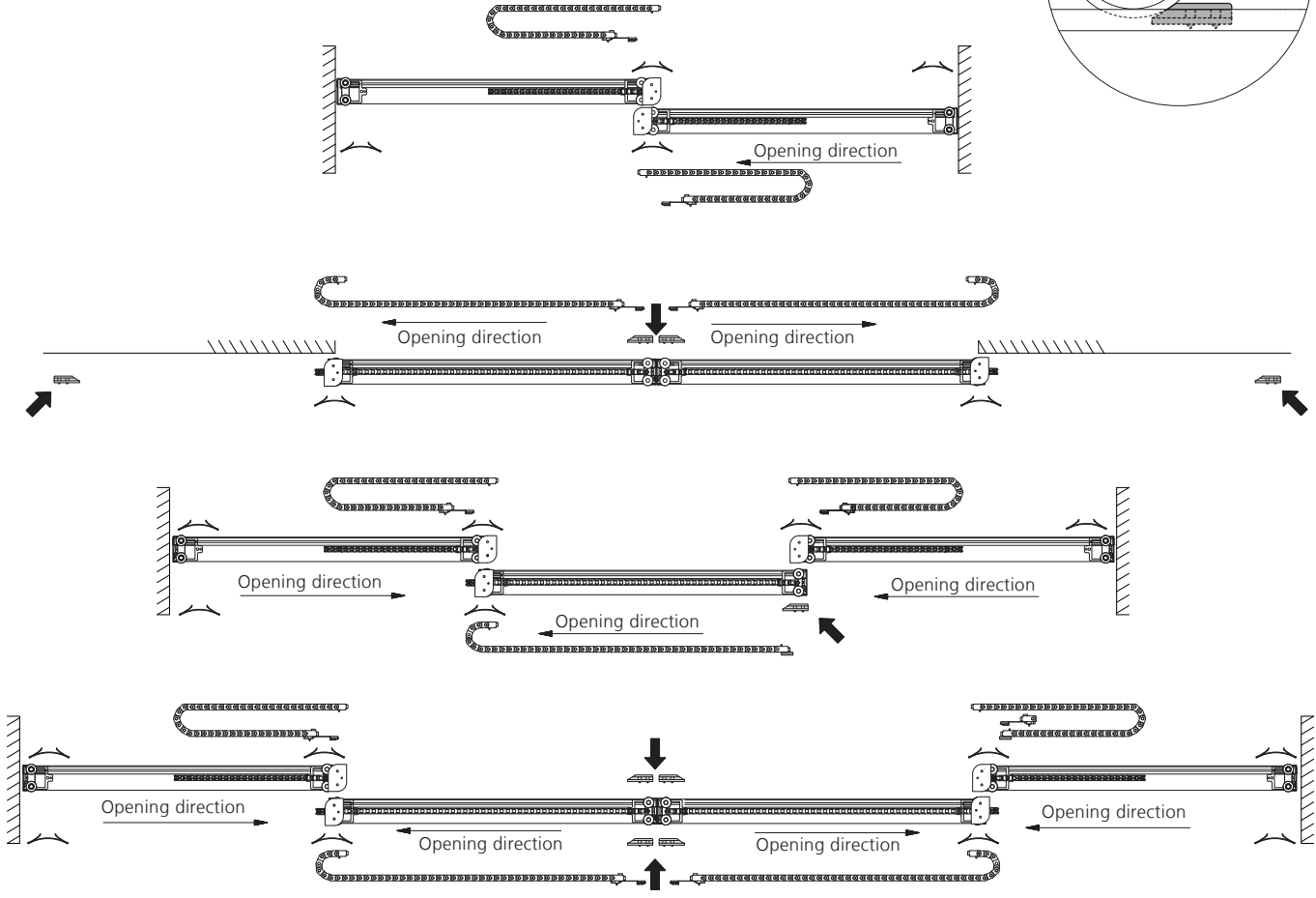
Stopper for bottom track 10.01.03x

Optional: Position spring for bottom track 10.01.x30

5_ Remove sliding door, clean surface (free of grease, impurities) and stick on bottom track at marked position



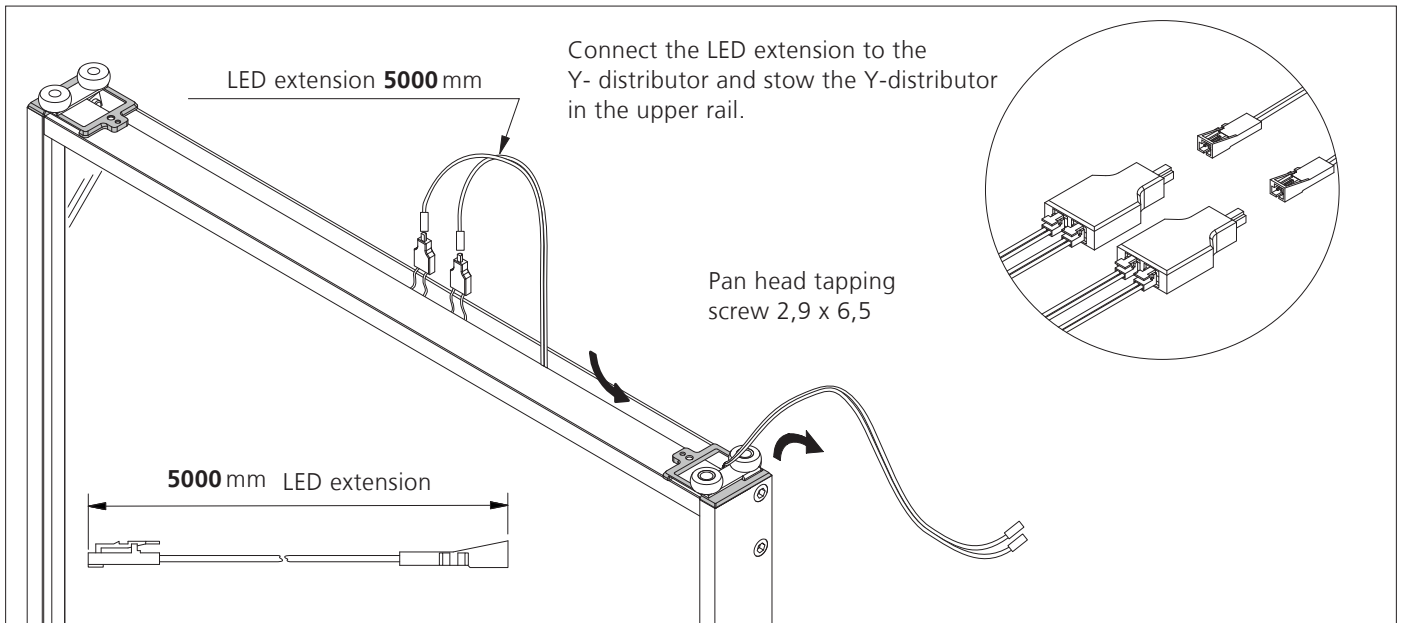
The LED-doors can be moved to only one door width.

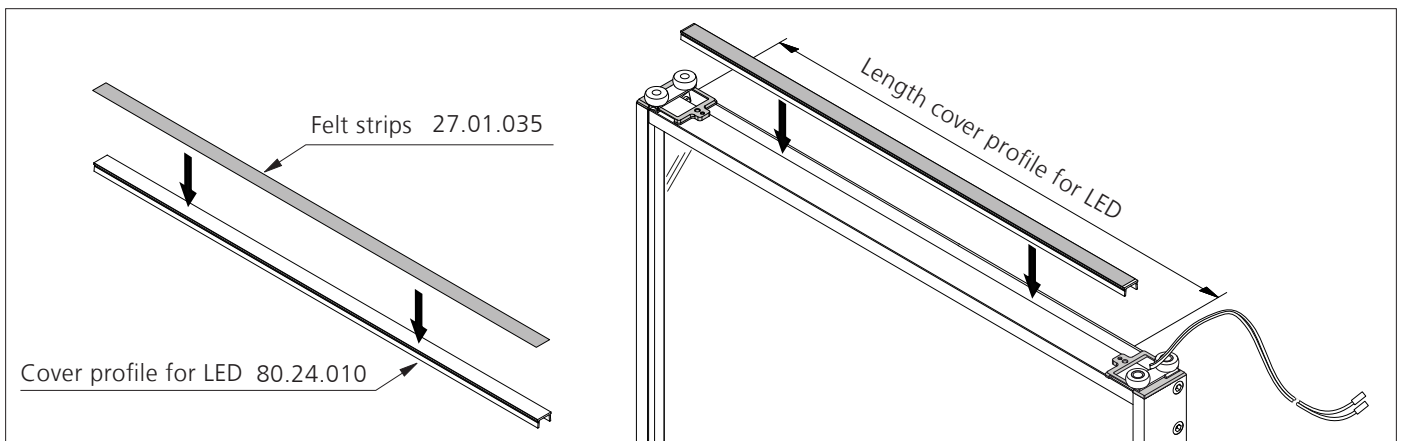
6_ Mounting example of a mounting plate energy chain / stopper for bottom track

INSTALLATION INSTRUCTION

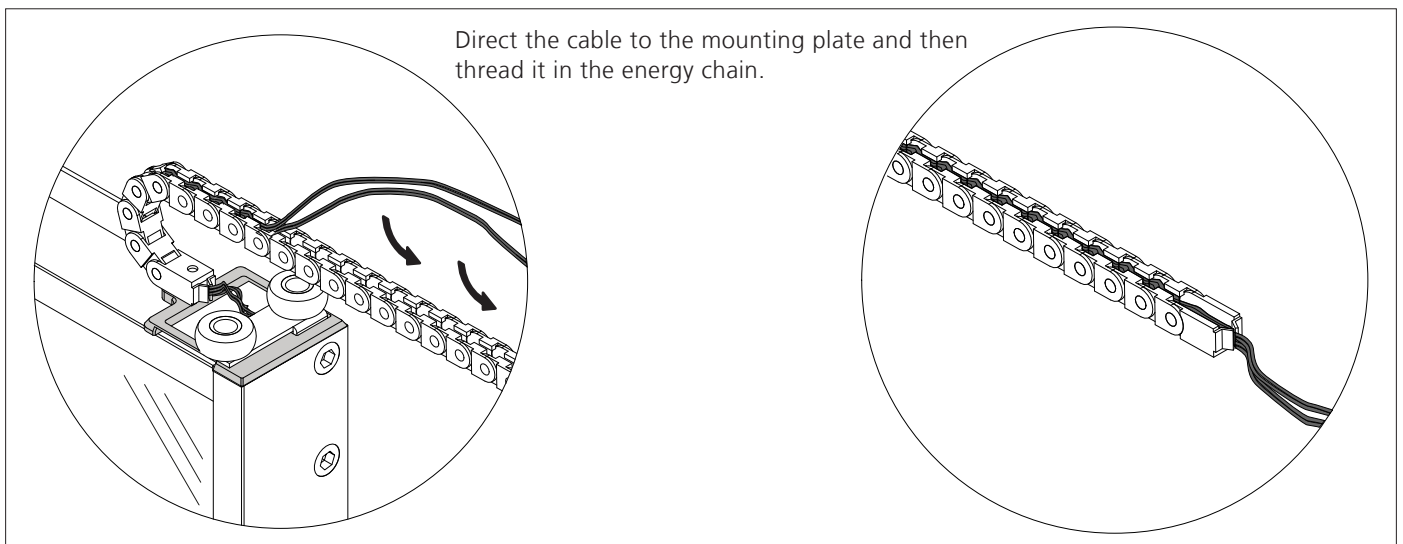
EXAMPLE OF THE LEFT DOOR



7_ LED extension 5000 mm



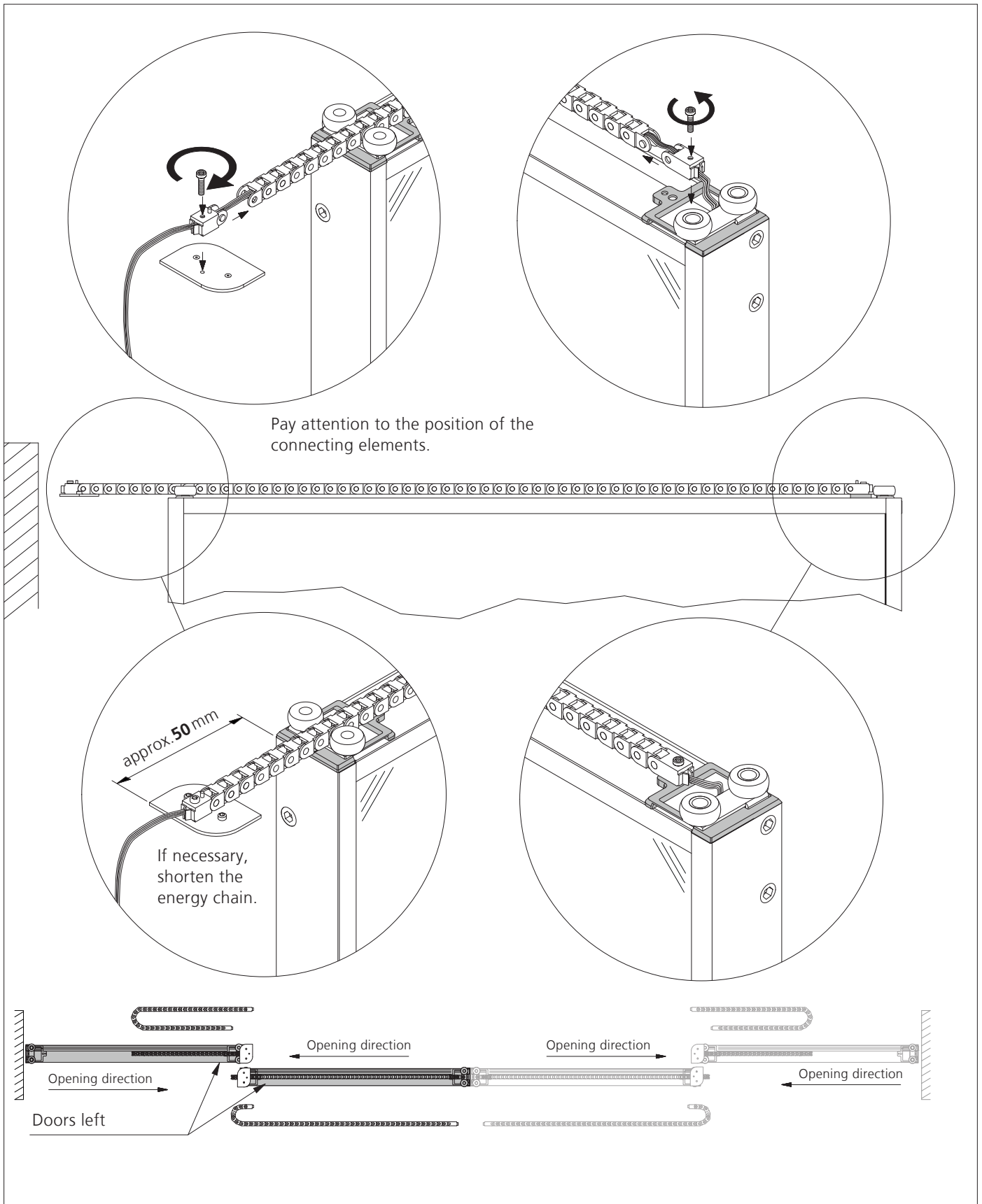
8_ Glue the felt strip on the cover profile and put both into the top rail



9_ LED extension 5000 mm

INSTALLATION INSTRUCTION

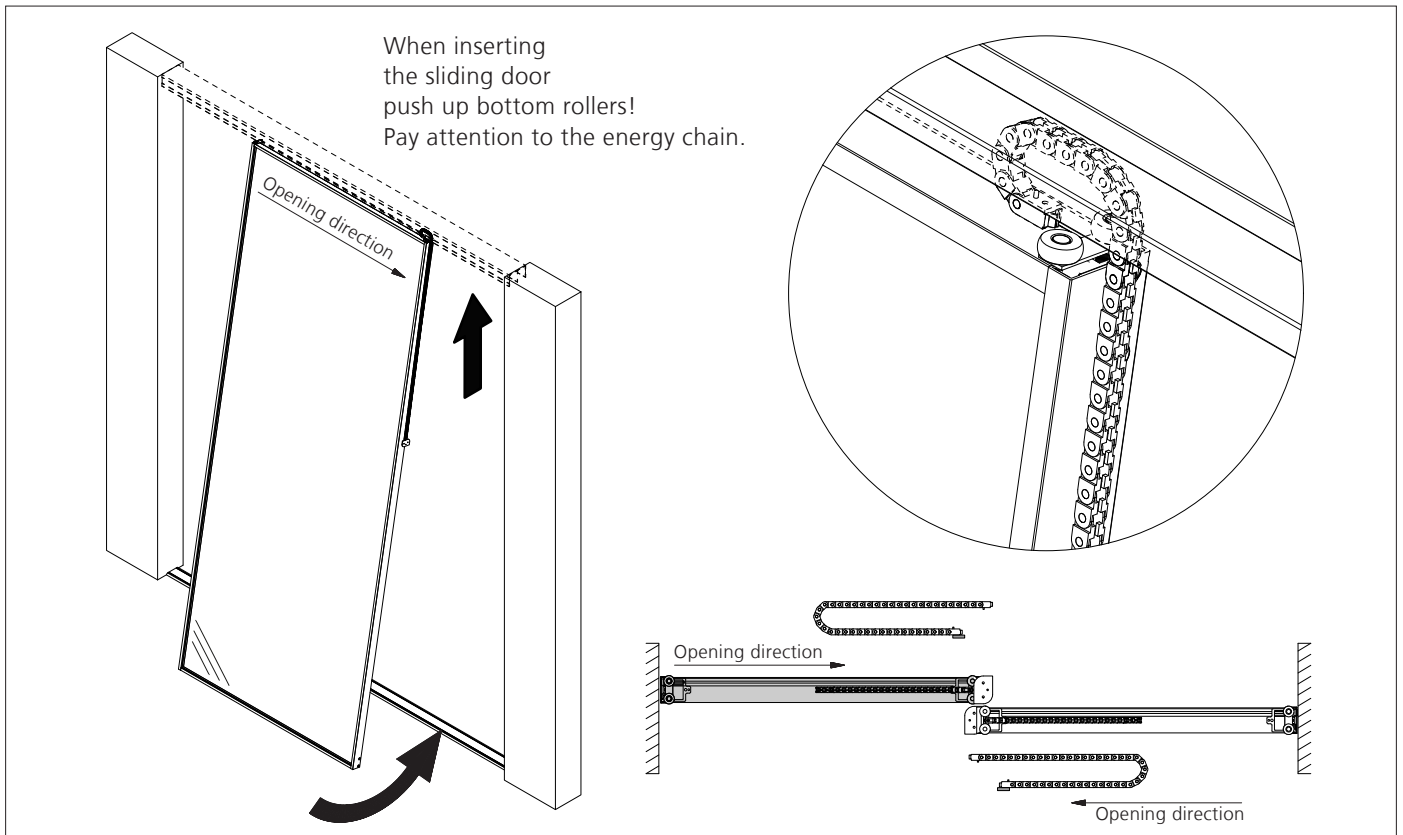
EXAMPLE OF THE LEFT DOOR



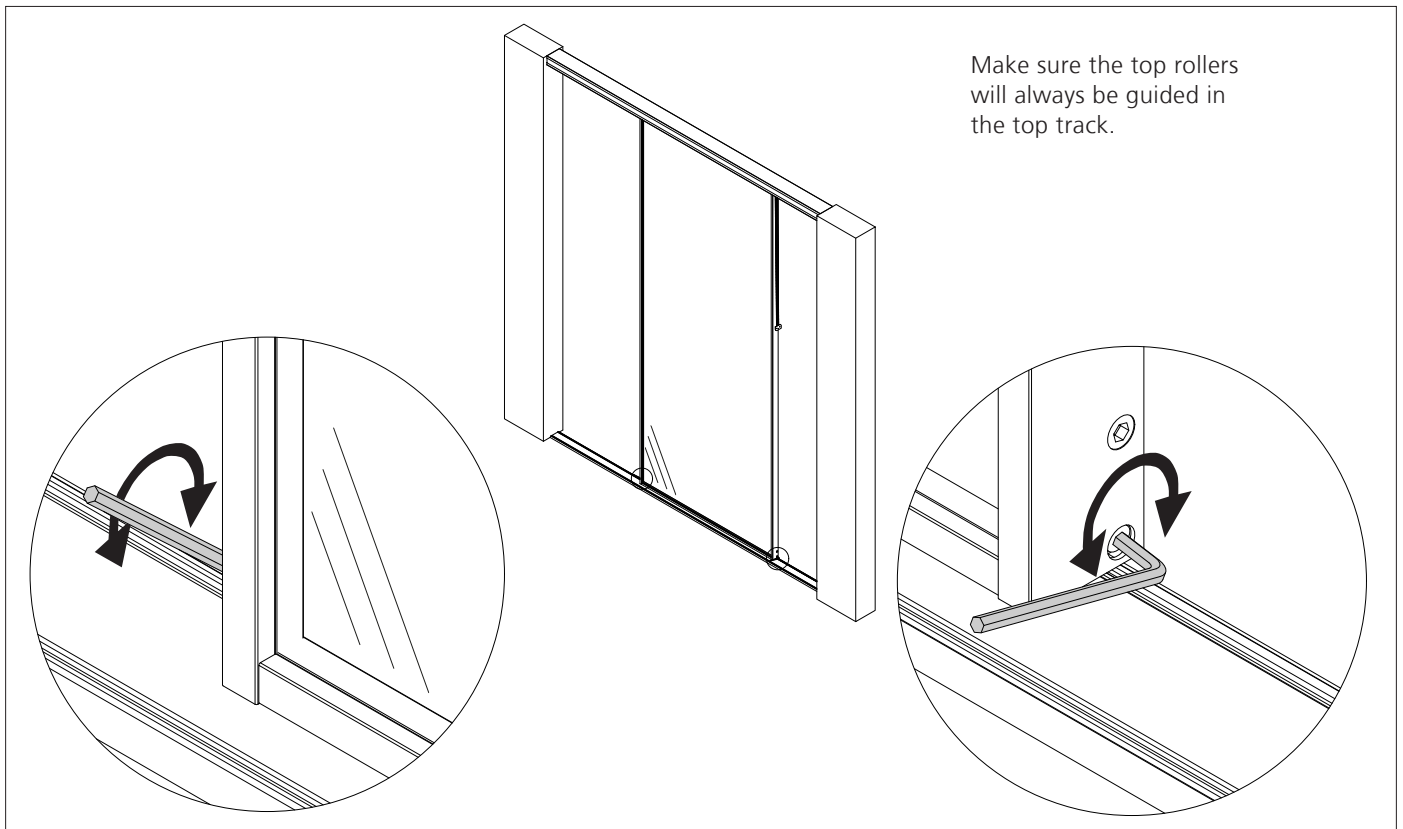
10_ Mounting the energy chain

INSTALLATION INSTRUCTION

INSERT DOOR / ADJUST DOOR



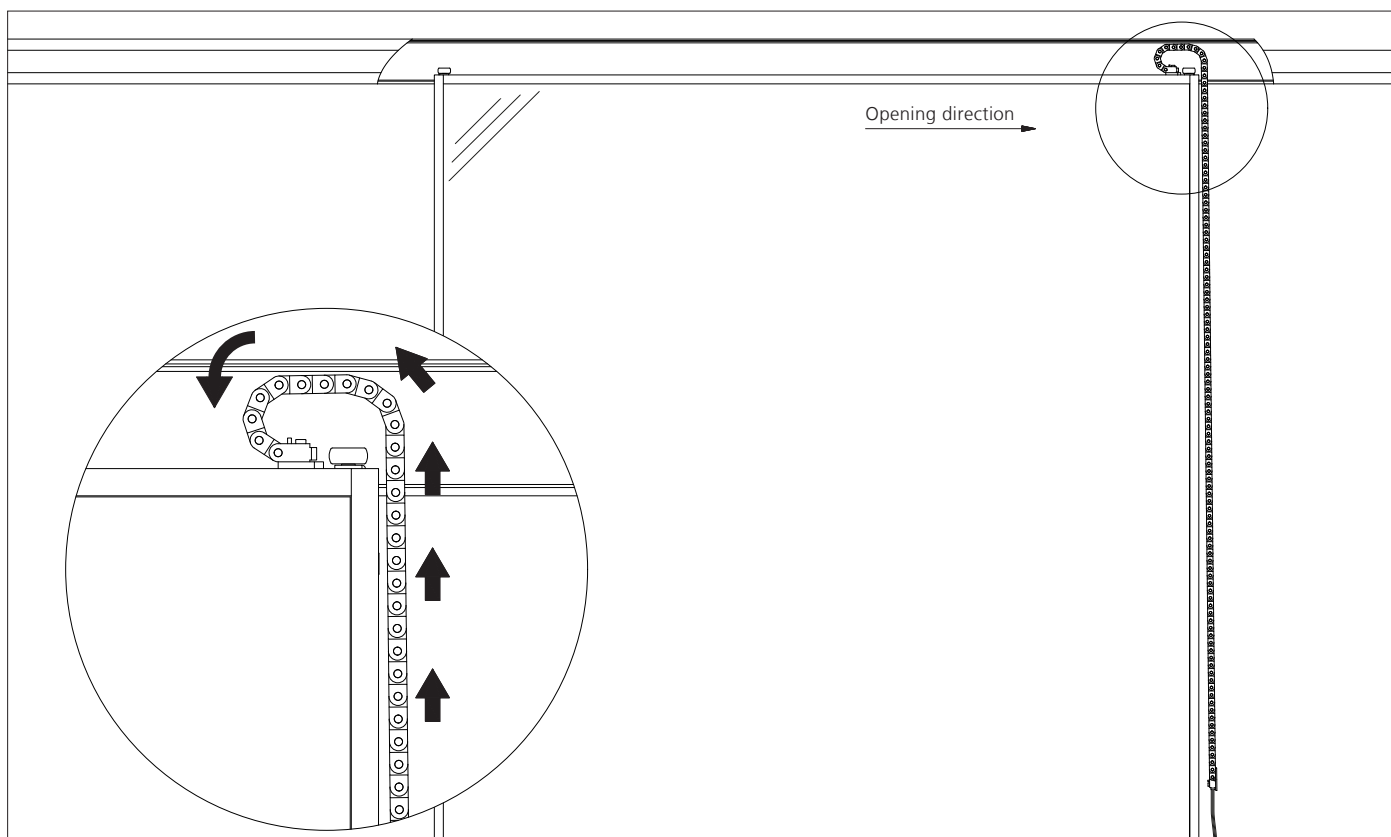
11_ Insert sliding door



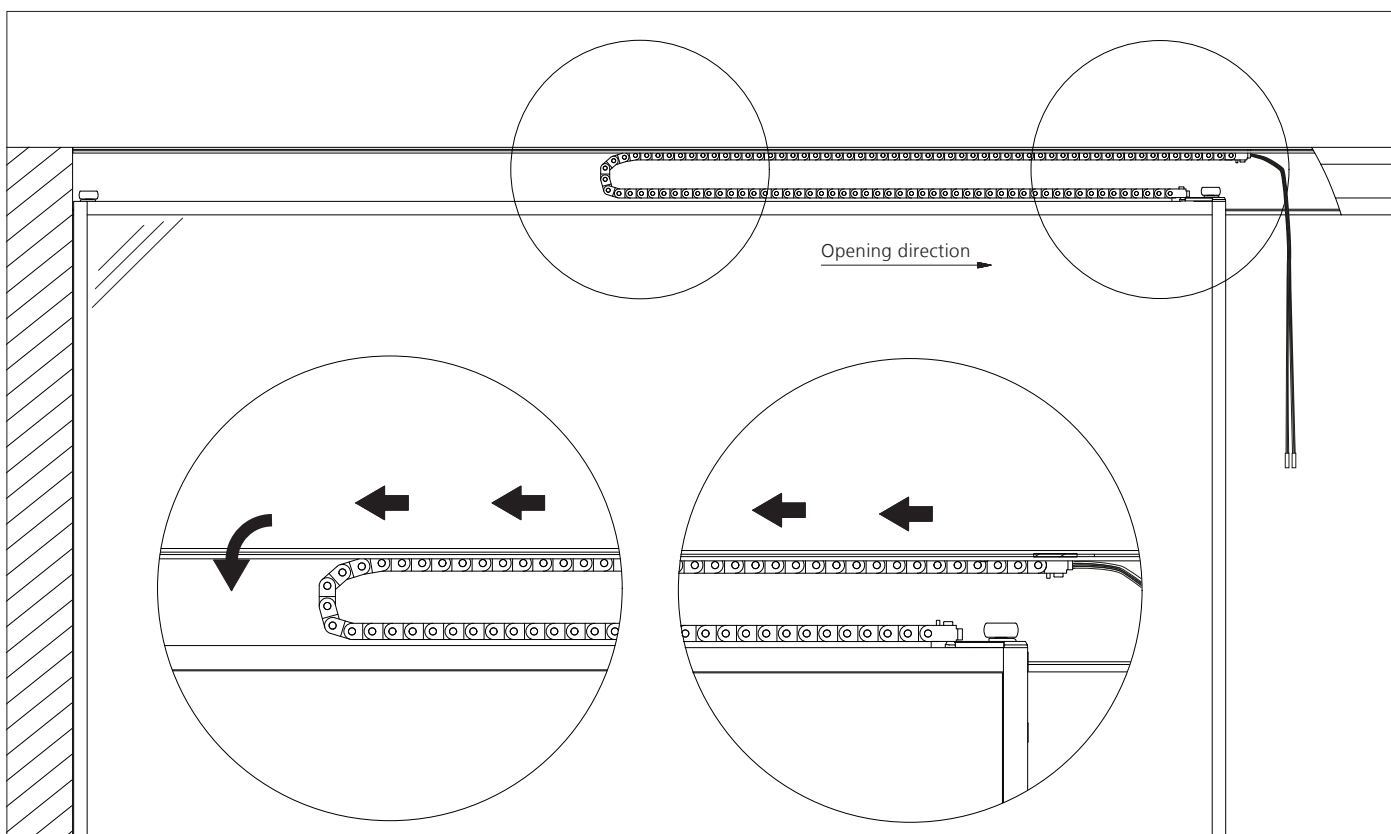
12_ Adjust sliding door

INSTALLATION INSTRUCTION

POSITION THE ENERGY CHAIN



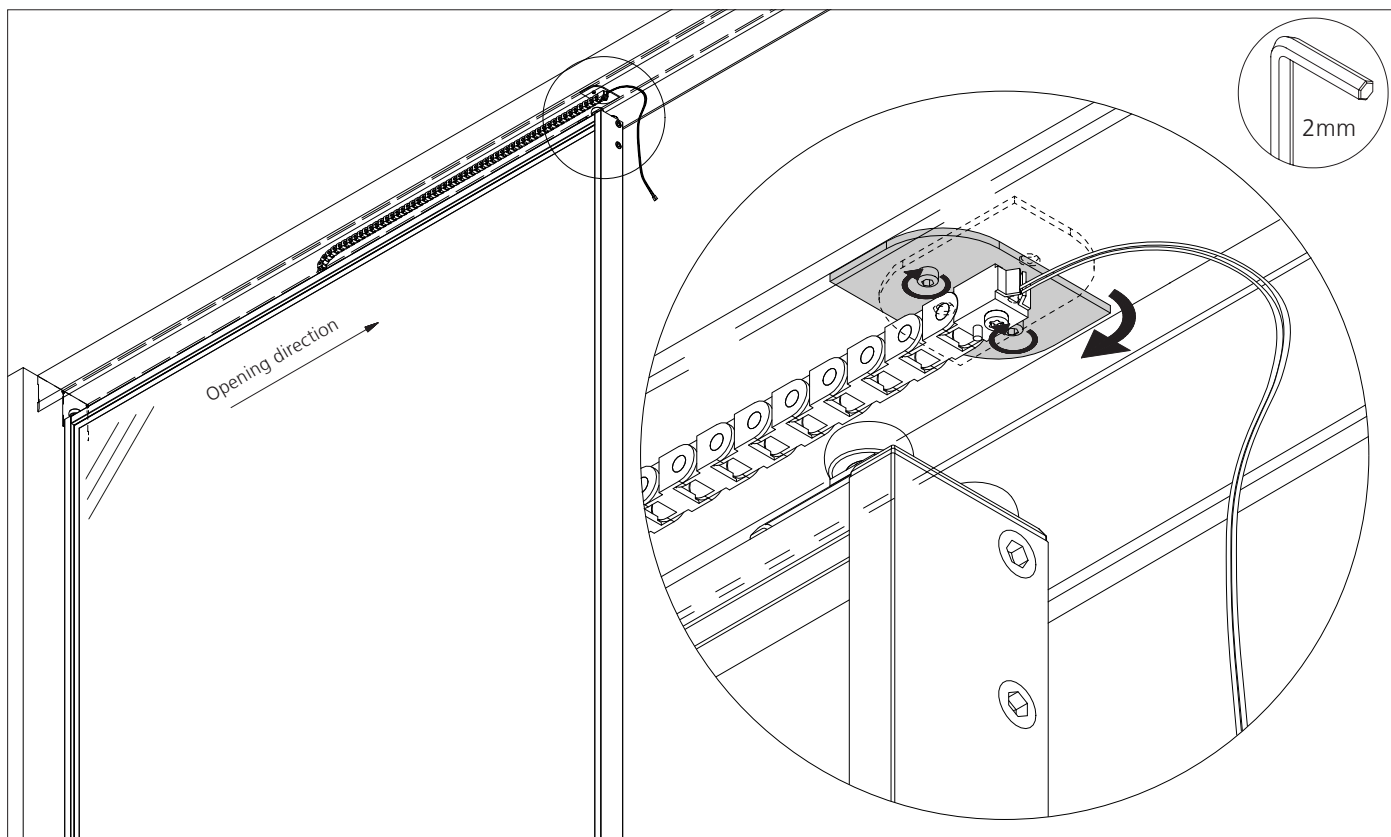
13_ Push the energy chain carefully in the top track



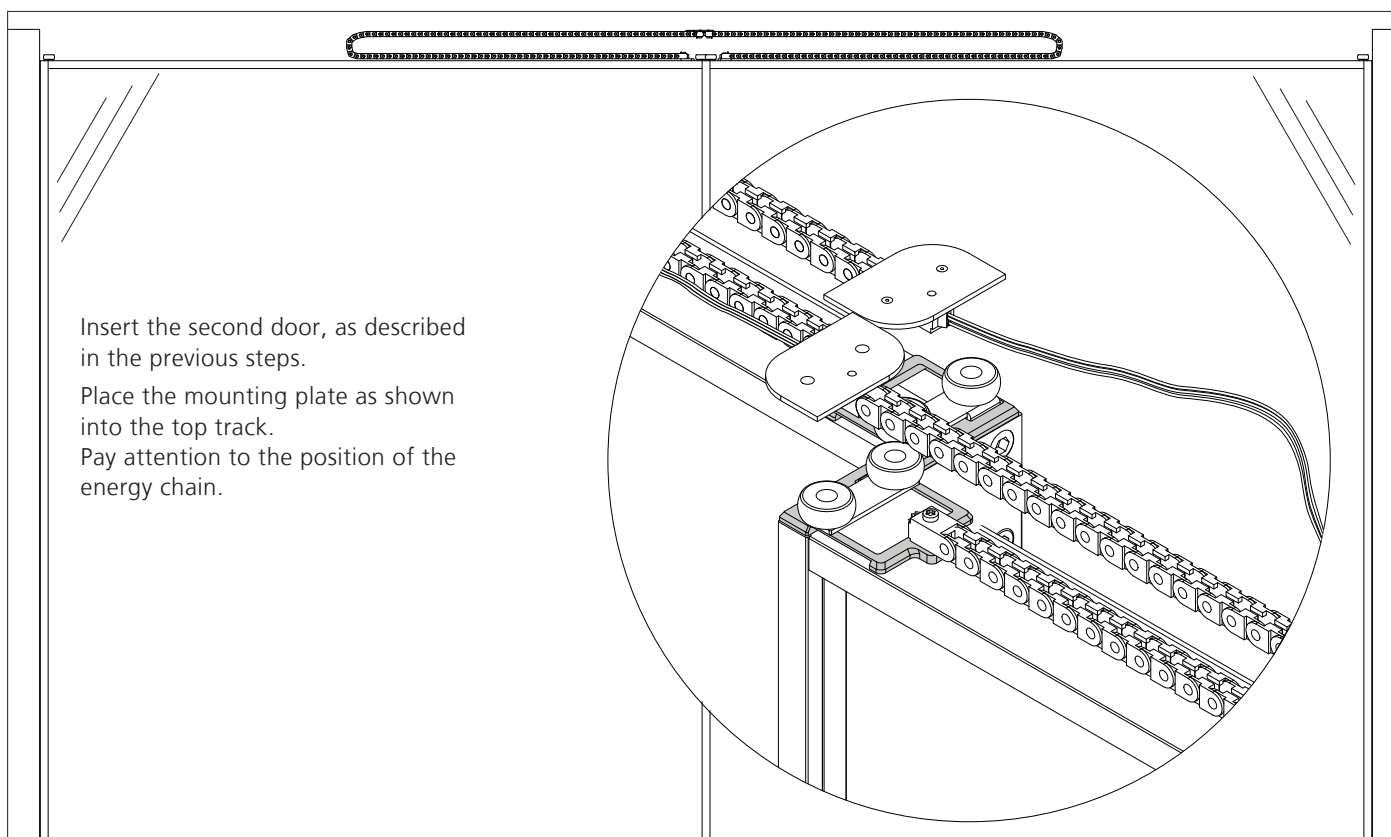
14_ Insert the mounting plate of the energy chain in the top track

INSTALLATION INSTRUCTION

MOUNTING PLATE



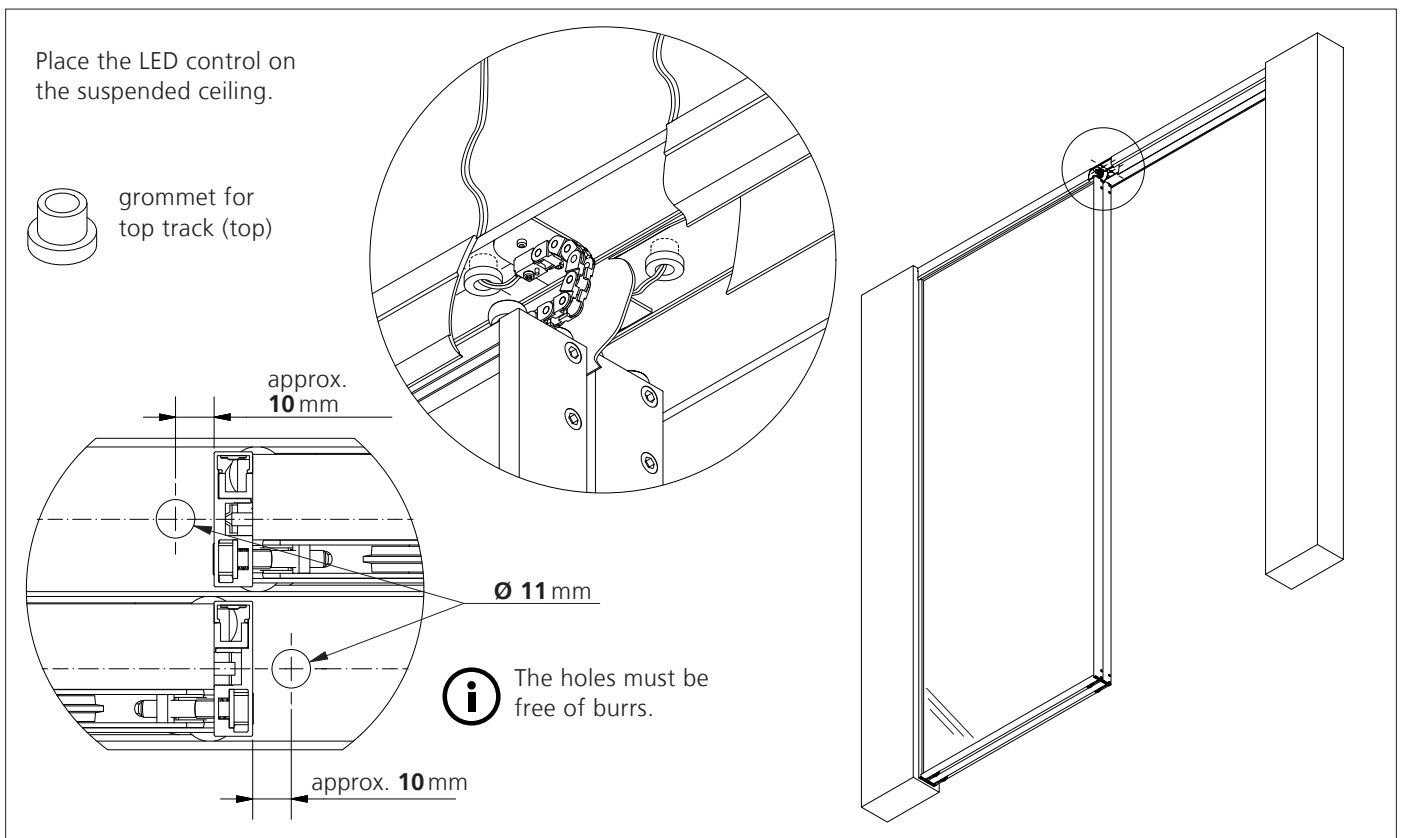
15_ Place the mounting plate as shown into the top track



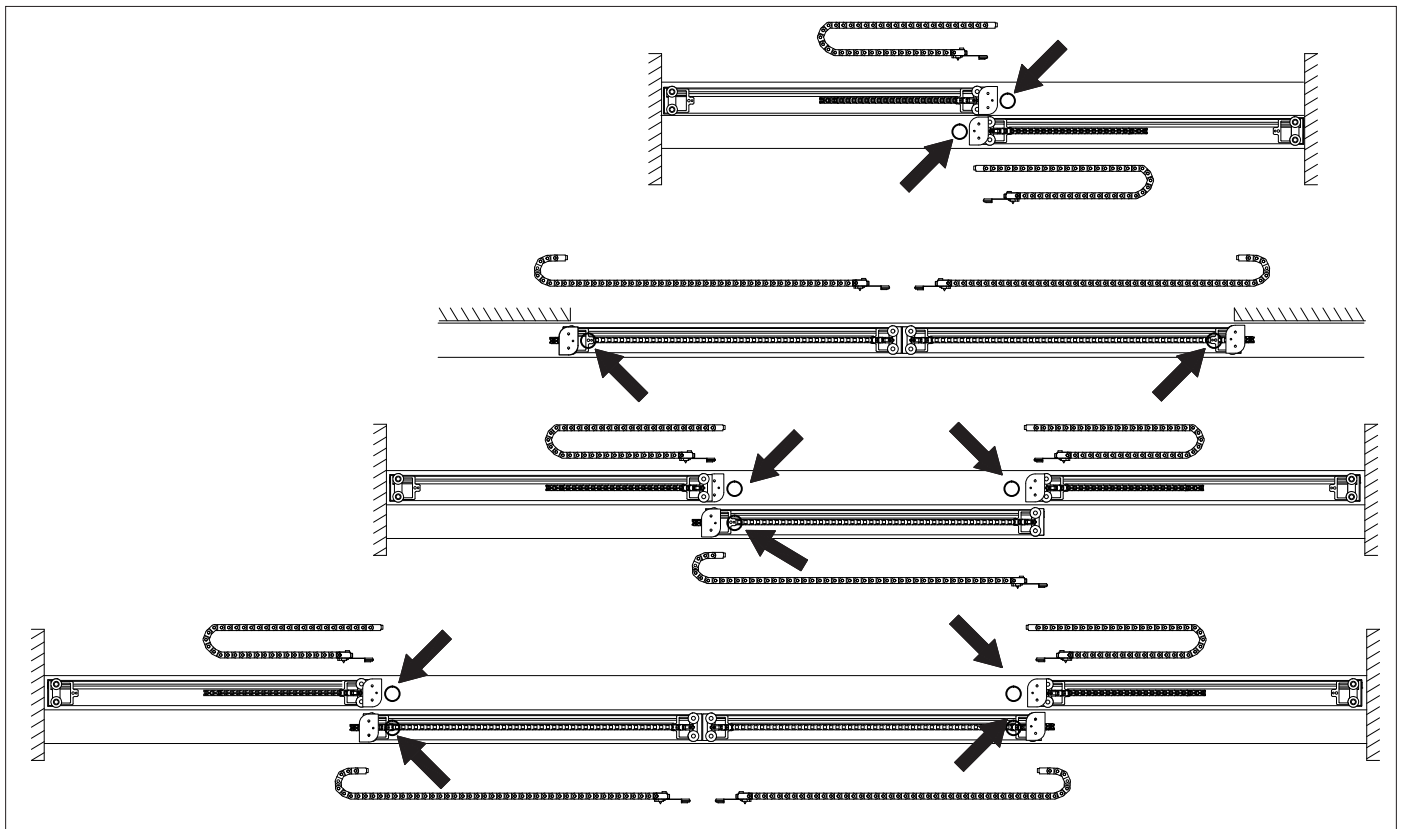
16_

INSTALLATION INSTRUCTION

HOLES FOR CABLE ROUTING WITH SUSPENDED CEILINGS



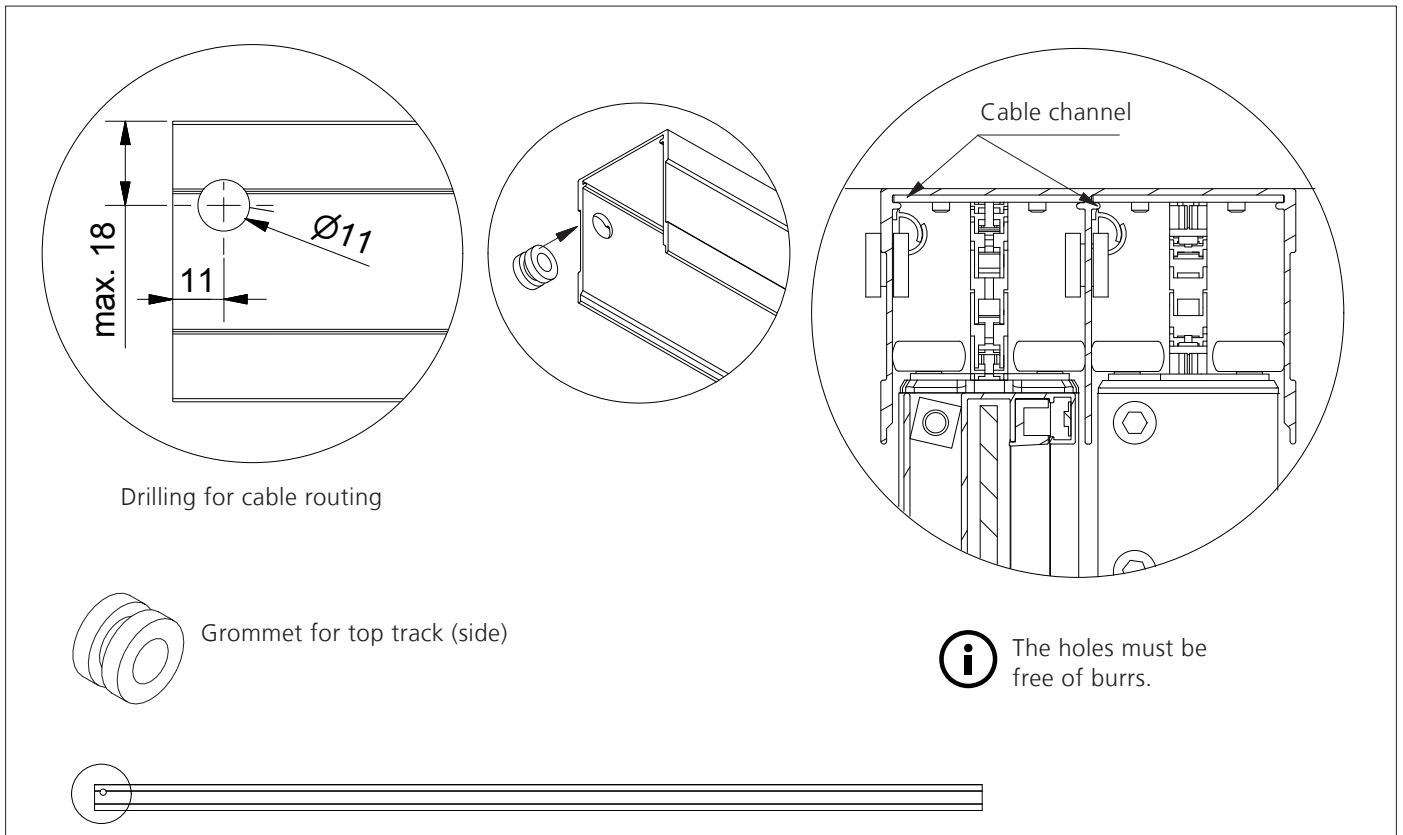
1_ Example: Suspended ceiling, positioning of the hole for the cable guide



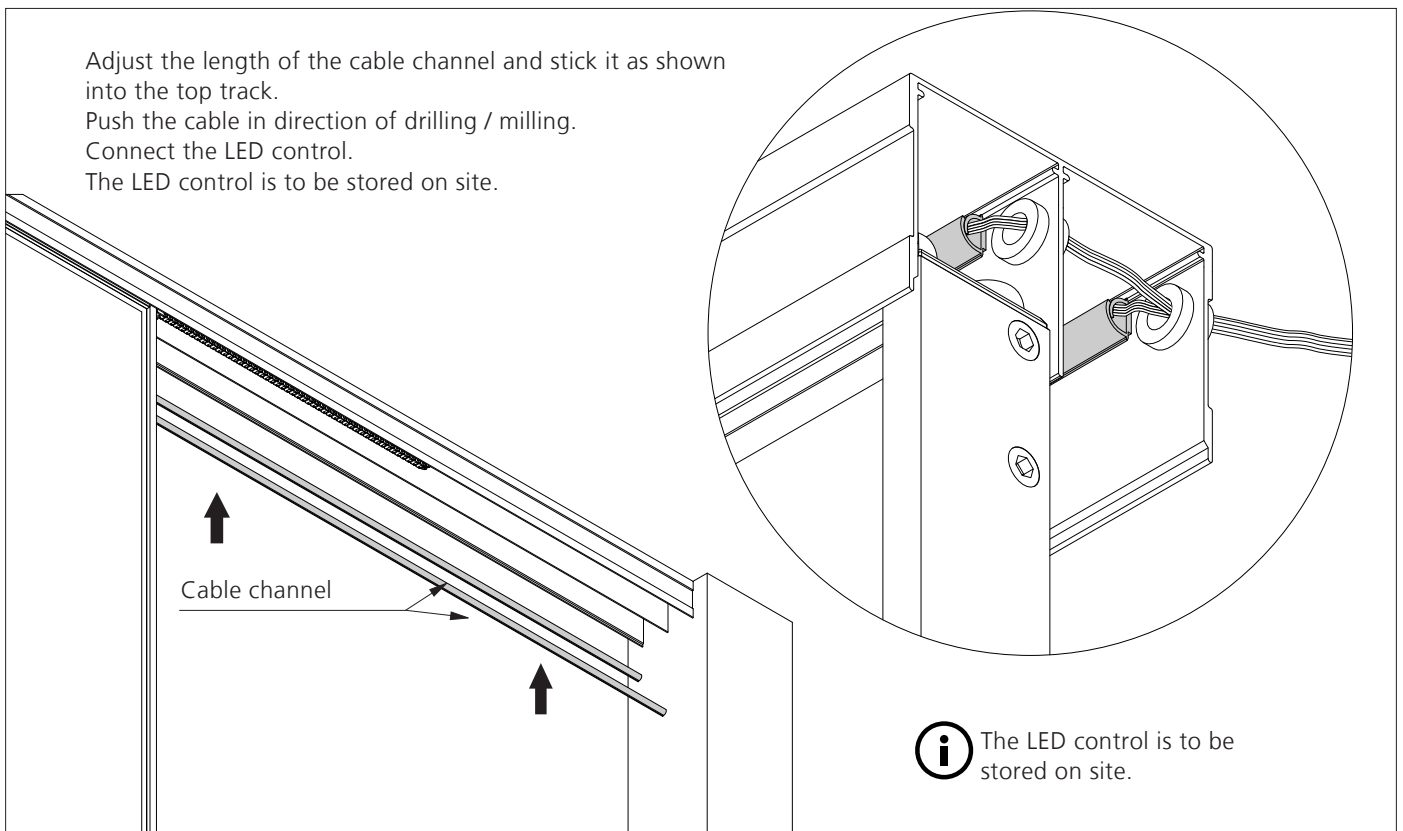
2_ Hole for the cable guide

INSTALLATION INSTRUCTION

DRILLING / MILLING FOR CABLE ROUTING Laterally



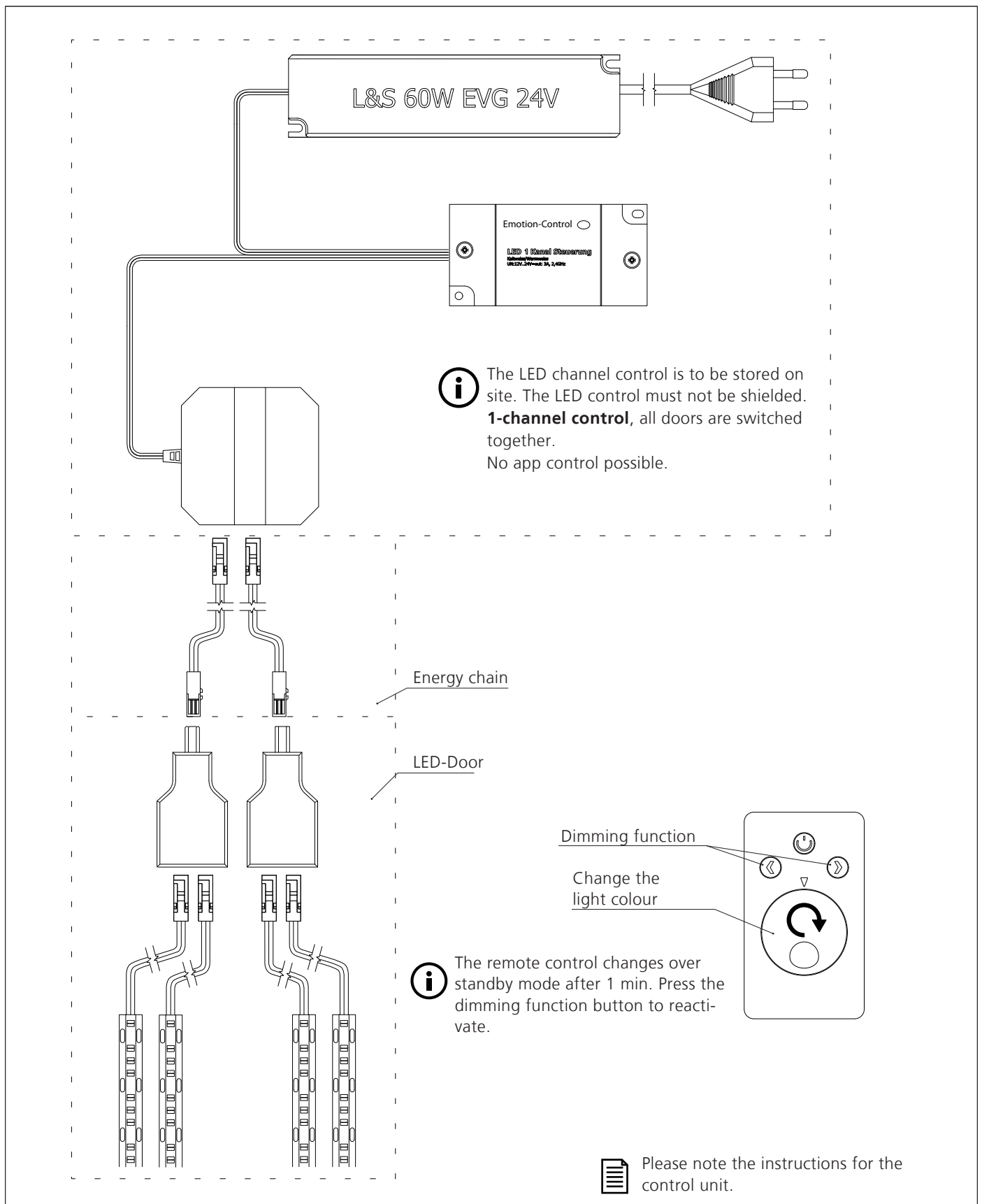
1_ Example concrete ceiling



2_ Insertion of the cable channel

CIRCUIT DIAGRAM

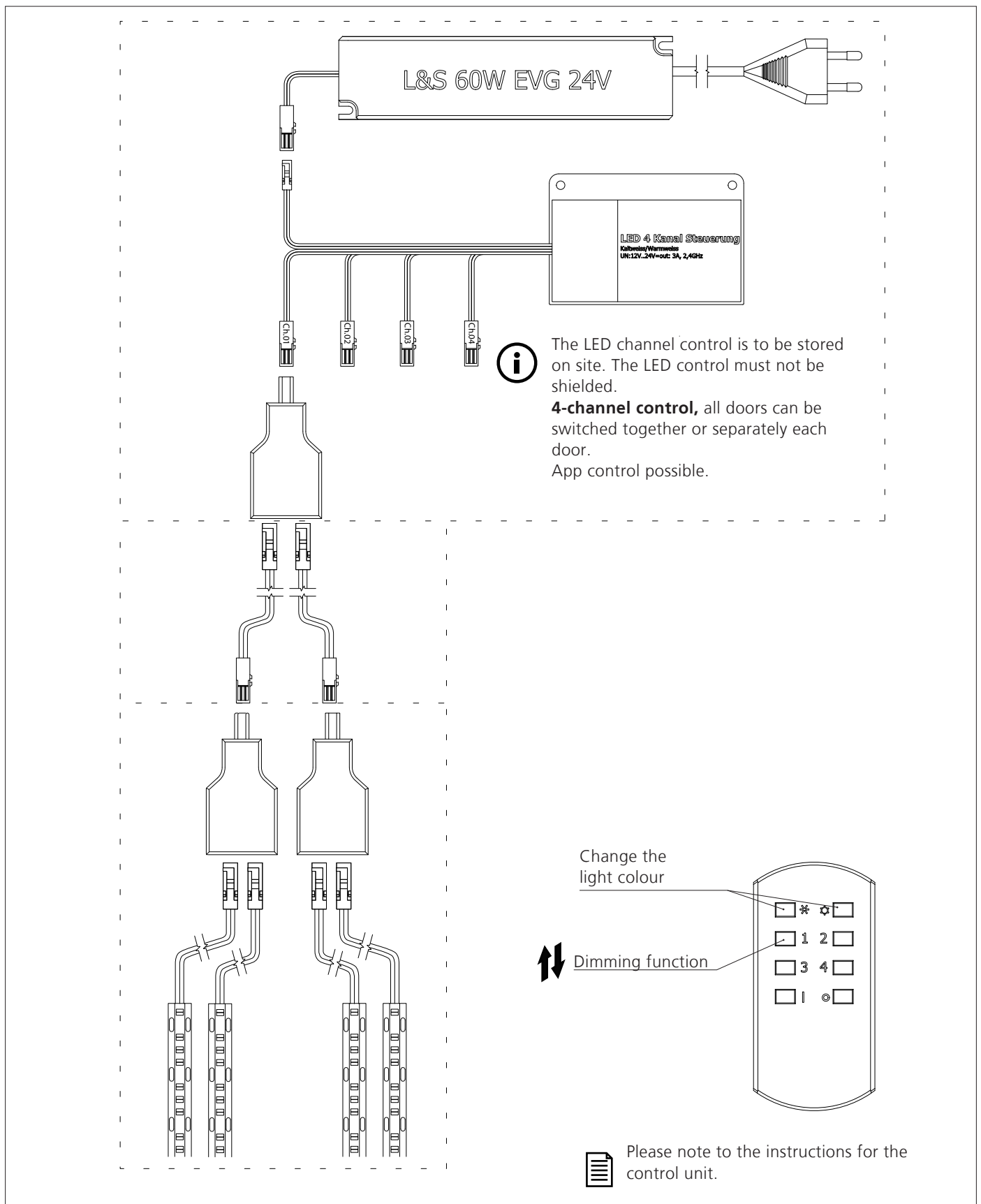
LED 1 CHANNEL CONTROL



1_ Circuit diagram for an LED door (One control unit per door)

CIRCUIT DIAGRAM

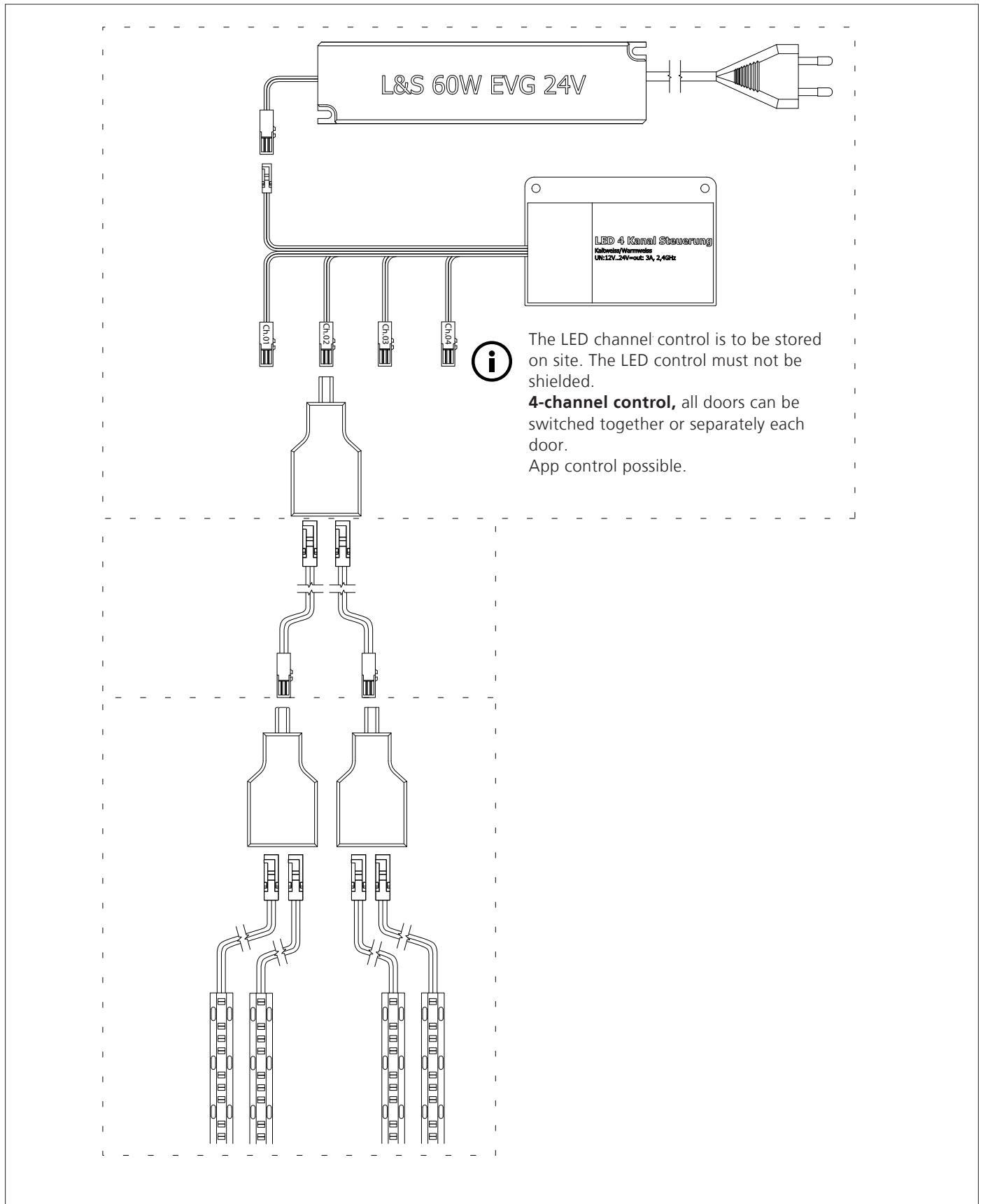
LED 4 CHANNEL CONTROL STARTER-KIT



1_ Circuit diagram for an LED door (One control unit per door)

CIRCUIT DIAGRAM

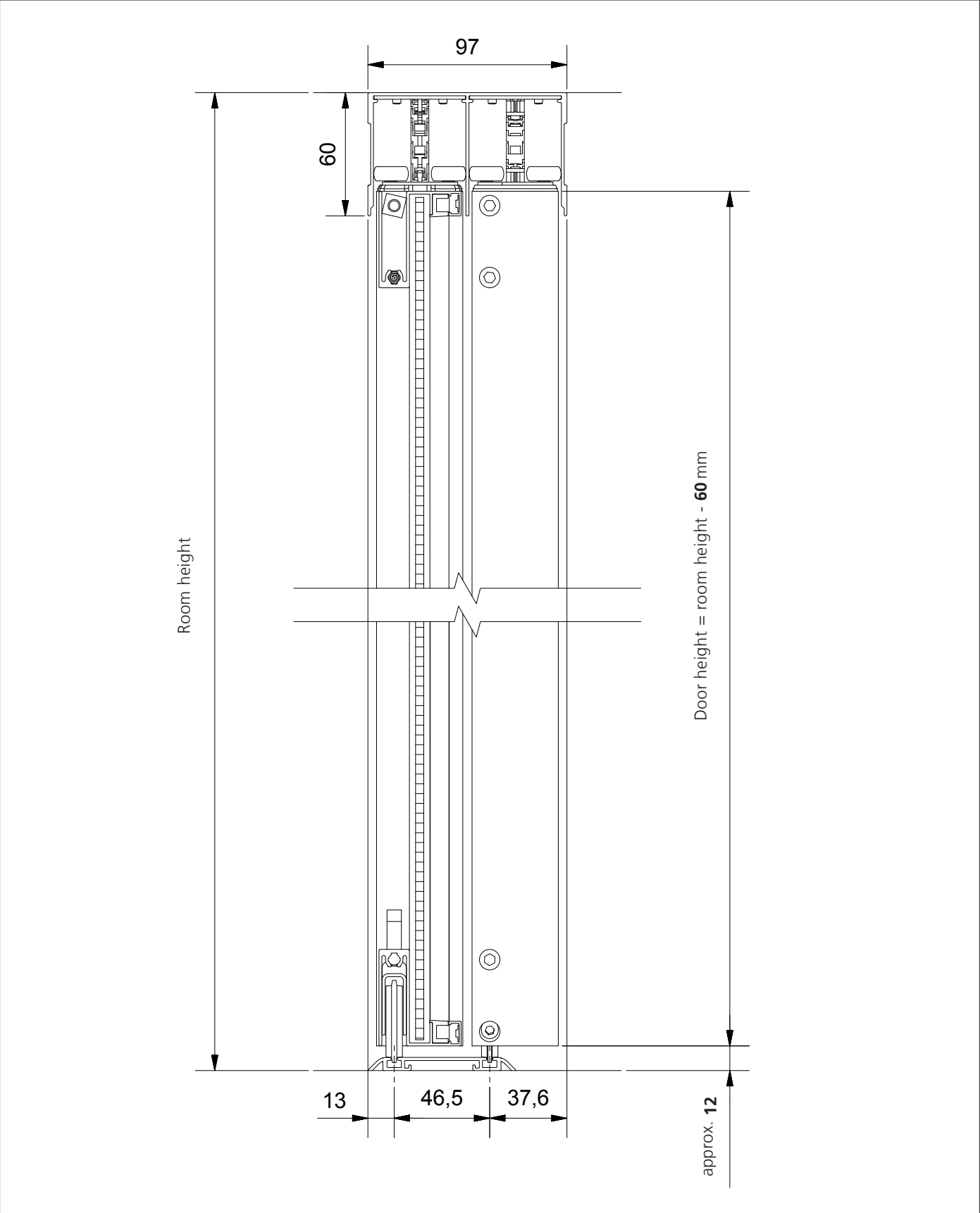
LED 4 CHANNEL CONTROL FOLLOW-KIT



2_ Circuit diagram for a second LED door (One control unit per door)

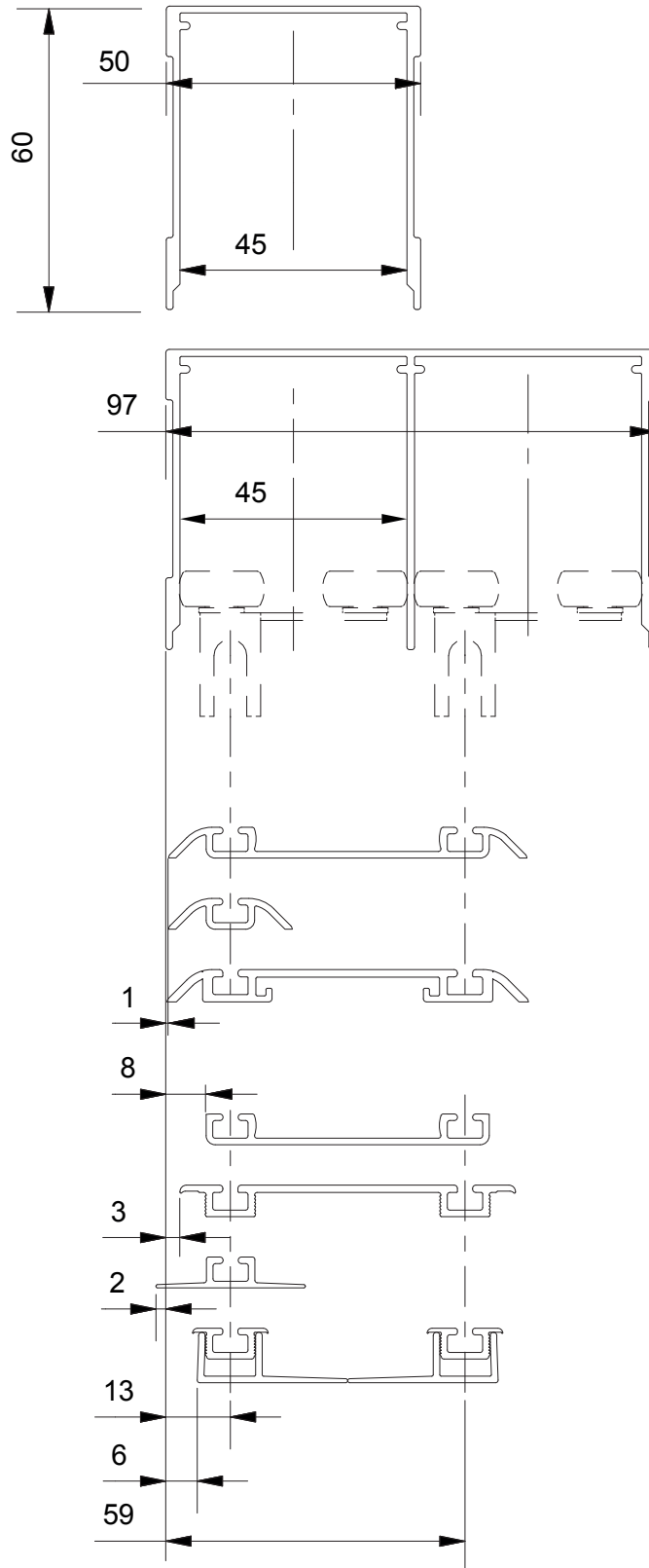
DETAIL DRAWING

SECTION S1200 LED



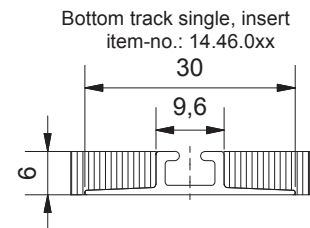
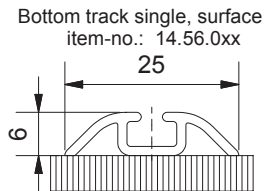
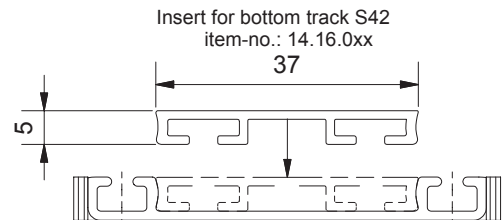
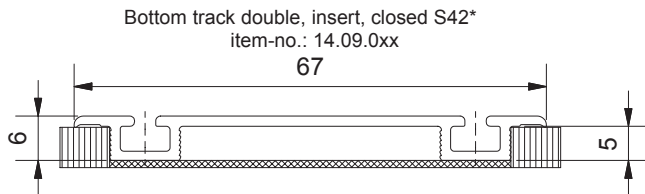
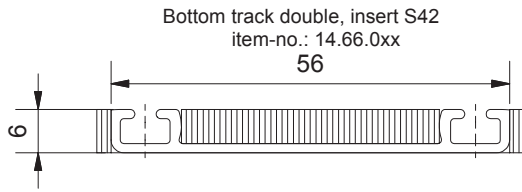
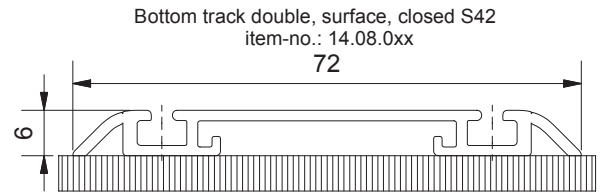
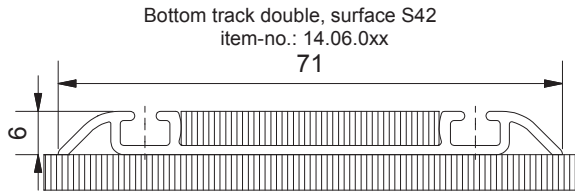
DETAIL DRAWING

POSITION BOTTOM TRACKS

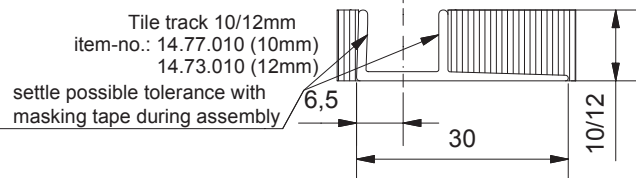
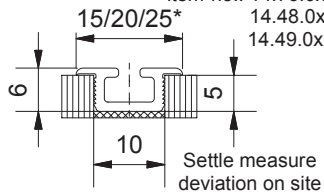


DETAIL DRAWING

BOTTOM TRACKS S42



Bottom track single, insert, without flange 15/20/25*mm
item-no.: 14.76.0xx (15mm)
14.48.0xx (20mm)
14.49.0xx (25mm)*



POSSIBLE SOURCES OF ERROR

Possible sources of error	
Error	Troubleshooting
Multi-door system, the doors do not switch	Teach master and slave of the LED-control (see the instructions for the control unit.)