


HINGE DOOR: ASSEMBLY INSTRUCTION

ALUMINIUM FRAME HINGE DOOR RPS

Version 1.5 (2017-08-07)

2.30.1.c

Assemble  easy medium difficult

Subject to technical changes.

raumplus

CONTENT AND TOOLS

CONTENT:

Content and tools	page	02
Product information	page	03
Accessories	page	05
Exploded drawing	page	06
Drilling pattern / milling pattern	page	08
Assembly instruction Frame profile RPS / 22,5 mm	page	09
Assembly instruction Frame profile RPS / 29 mm	page	13
Detail drawings	page	16

TOOLS:

(without claim of completeness)

- Phillips screwdriver
- 2.5 mm Allen key
- Milling machine and drilling machine
(size, see Drilling pattern / milling pattern)
- Pencil
- Metal saw
- Pinch roller
- Cutter
- Pair of gloves
- Clamping device
- File



VERSION INFORMATION:








- Version 1.1: Note to RPS 22.5, for the use of colored glass
- 1.2: System information adapted
- 1.3: Hint added prepressing of the gasket
- 1.4: Processing Instructions added
- 1.5: Note added to gluing and glasses to be used

PRODUCT INFORMATION

GENERAL INFORMATION: Preparation

- This manual is part of the product and describes the safe and proper installation of the system. Please read the instructions carefully before installation
- Please note that the assembly should only be done by qualified and trained staff in strict compliance with all details indicated in this document. Improper installation in variation from manufacturer's specification may cause defects and danger, thus endangering the safe fixing of the product as well as the safety of the prospective user. The liability of the manufacturer shall be excluded in case of defects and consequential damages resulting from incorrect assembly of this product.
- Please check the completeness of the delivered parts and check carefully if any transport damages are visible.
- If any parts are damaged or lost, please immediately contact the responsible supplier.
- It is assumed that you have exactly identified all cutting dimensions according to the measurement instruction for **raumplus** products.

SYMBOLE:

Symbol	Importance
	Risk or danger!
	Advice and information
	Additional information / other documents
	Directional data / direction of movement
	„yes“ and „right“
	„no“ and „wrong“
	Follow the order

SYSTEM:

System Information: RPS

- max. weight of element = **20 kg**
- min./max. door height = **300 mm / 2500 mm**
- min./max. door width = **300 mm / 620 mm**

PRODUCT INFORMATION

GENERAL INFORMATION: **Product safety**

- The system complies with the prior of the art and the authorized safety rules at the time of delivery.

USE:

Intended use

- The prerequisite for the intended use of our products is the professional installation according to our installation instruction. Sufficient fittings must be available and durably installed to all relevant places. The function of the fittings must not be hindered or altered during installation.
- Special solutions are only possible in consultation with **raumplus**.

Incorrect use

- Risk or danger may occur in the following cases:
 - the door system has improperly been installed or maintained
 - the safety and installation instructions have not been followed.
 - after improper installation or inadequate fixing (e.g. to parts of buildings)
 - the maximum weight of the doors has been exceeded.
 - improper shock and case loads or other additional loads on the fittings have occurred
 - the fittings have been used outside.
 - body parts or objects got into the closing edges or door runnings during use of the door wing.
 - the door system is not used as intended.

Structural modifications

- Structural modifications that are not offered as an accessory from **raumplus** may only be attached or installed with permission of **raumplus GmbH!**

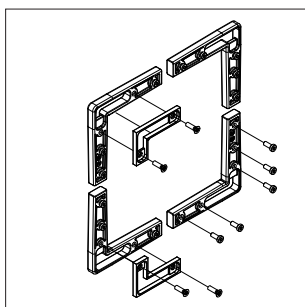


For the planning the doors note following instructions:
Aluminium frame hinged door RPS Planning

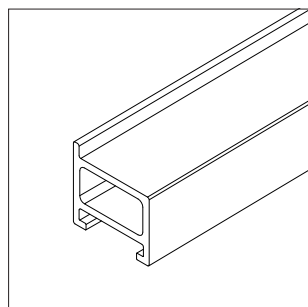
GLUING:

tesa®
Cleaner 60040
Promoter 60150 oder 60153
ACX^{plus} 7044 (19 mm Breite)

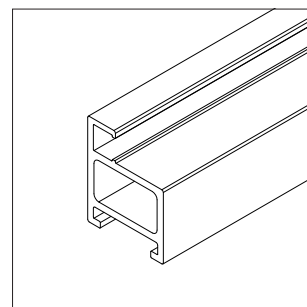
ACCESSORIES



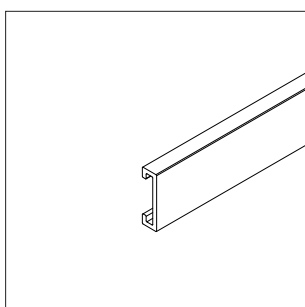
1_ 10.52.01x



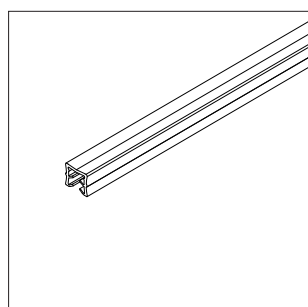
2_ 52.11.0xx



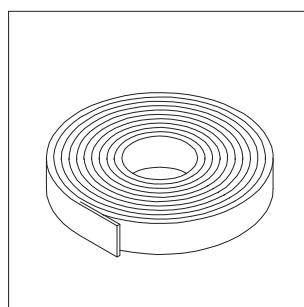
3_ 52.01.0xx



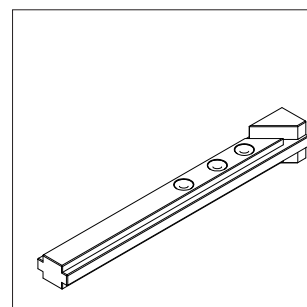
4_ 52.12.0xx



5_ 10.01.171



6_ 25.12.047



7_ 30.14.021

1_ Fitting set RPS

2_ Frame profile RPS / 22,5 mm

3_ Frame profile RPS / 29 mm

4_ Cover profile RPS

5_ 4 mm gasket

6_ Double sided tape

7_ Drilling template RPS

w/o illustration:

8_ Tape for cover profile RPS 15 mm x 50 m 95.02.026

9_ Cleaner

10_ Primer / Promoter

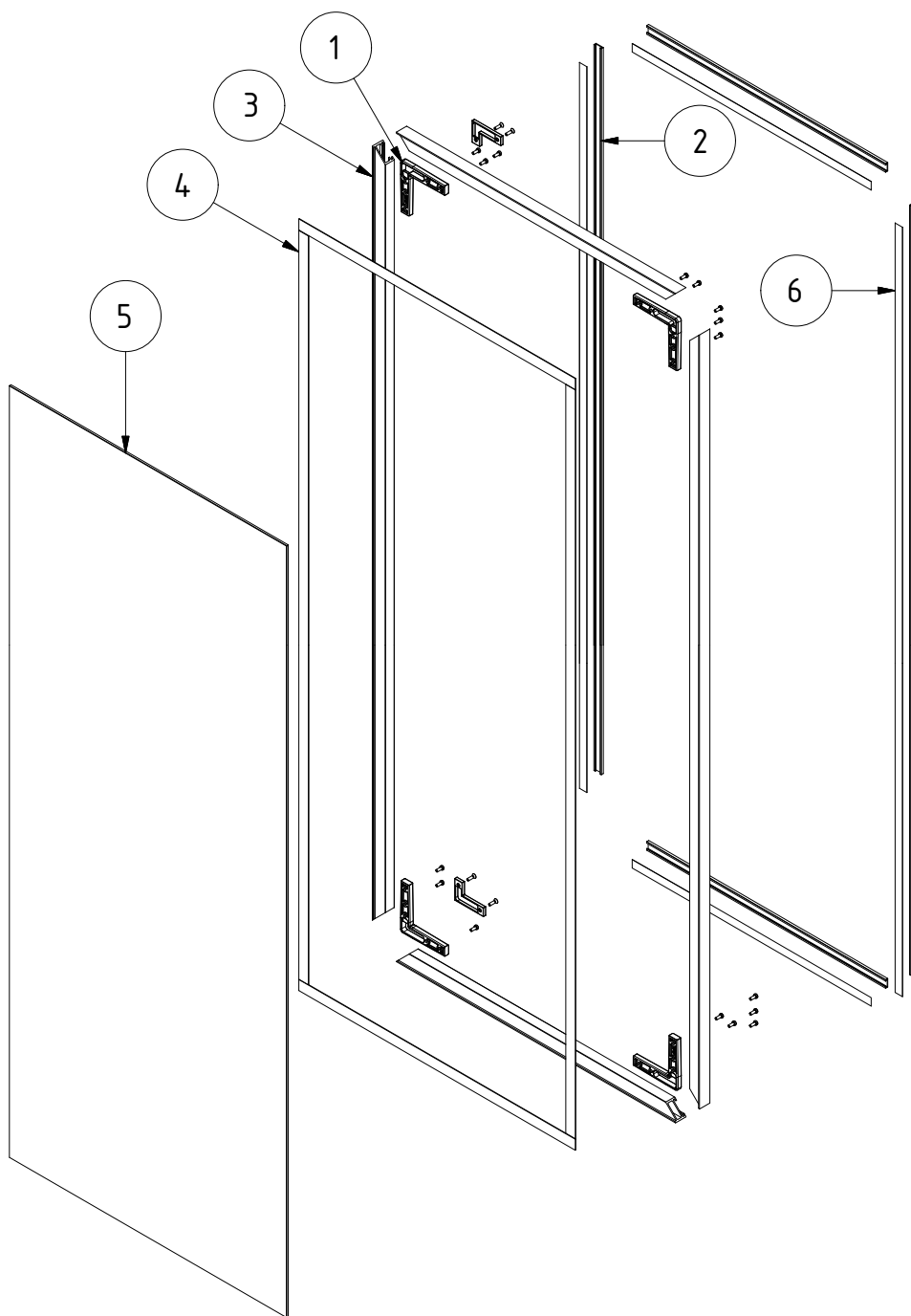
11_ Pressure roller S 800 30.15.025

12_ Pressure roller 30.15.026

For coloured surfaces please ask your dealer.

FRAME PROFILE RPS / 22,5 mm

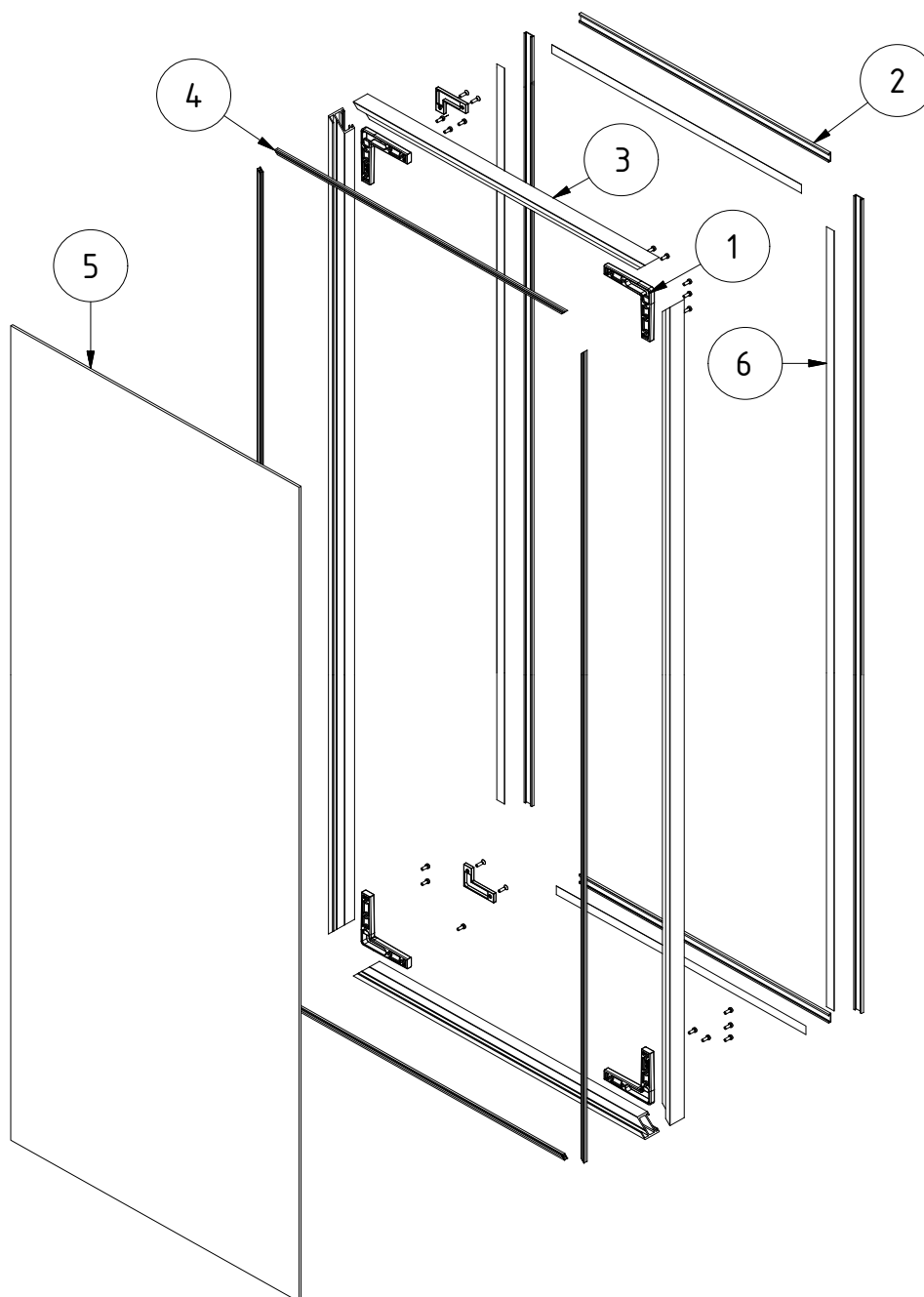
EXPLODED DRAWING



Item list			
Object	Quantity	Item	Item no.
1	1	Fitting set RPS	10.52.01x
4	4	Cover profile RPS	52.12.0xx
5	4	Frame profile RPS, 22,5 mm	52.11.0xx
6	4	Double sided tape	25.12.047
7	1	4 mm Glass panel	
8	4	Double sided tape 15 mm	95.02.026

FRAME PROFILE RPS / 29 mm

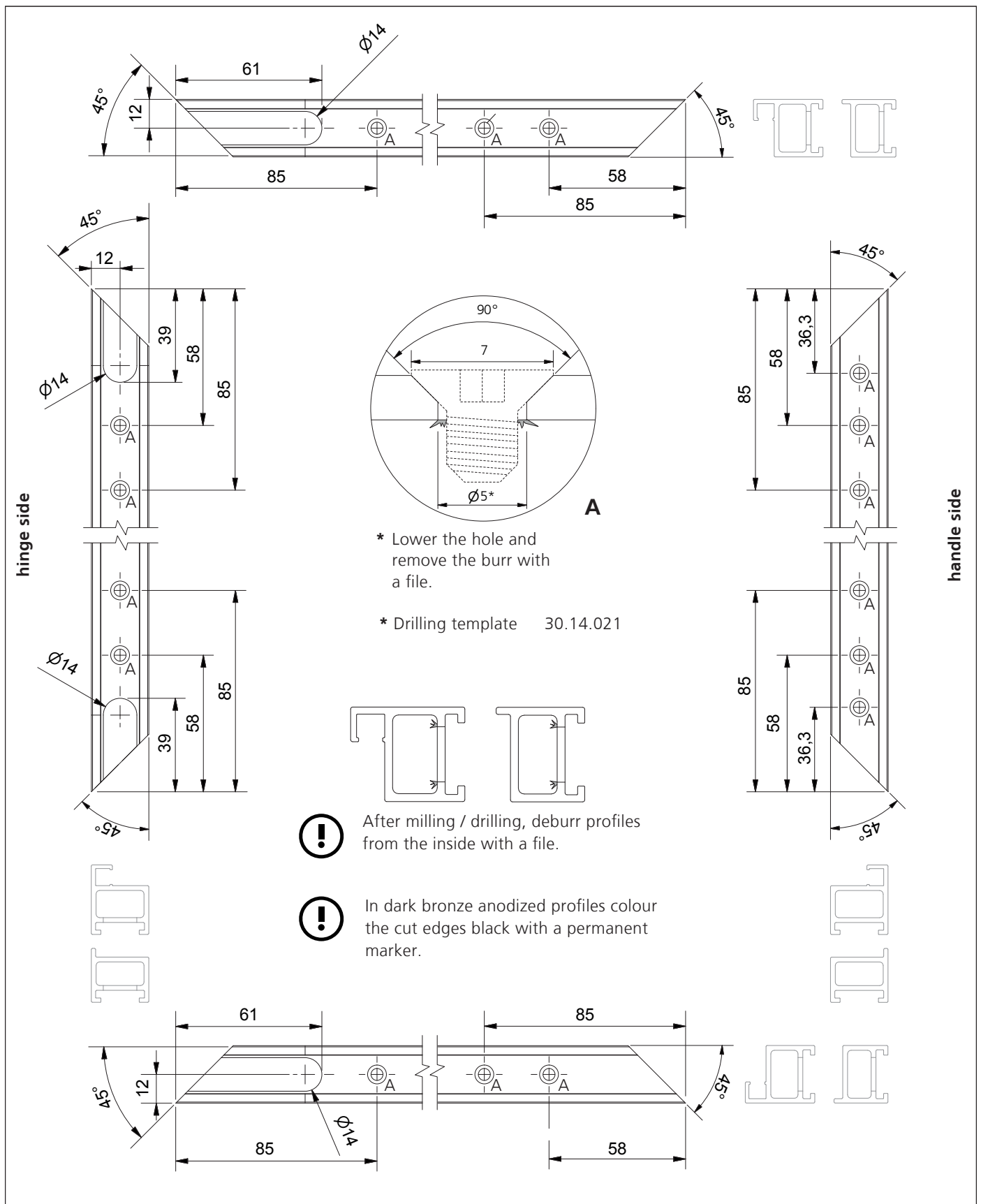
EXPLODED DRAWING



Item list			
Object	Quantity	Item	Item no.
1	1	Fitting set RPS	10.52.01x
2	4	Cover profile RPS	52.12.0xx
3	4	Frame profile RPS, 29 mm	52.01.0xx
4	4	4 mm Gasket	10.01.171
5	1	4 mm Glass panel	
6	4	Tape for cover profile RPS 15 mm	95.02.026

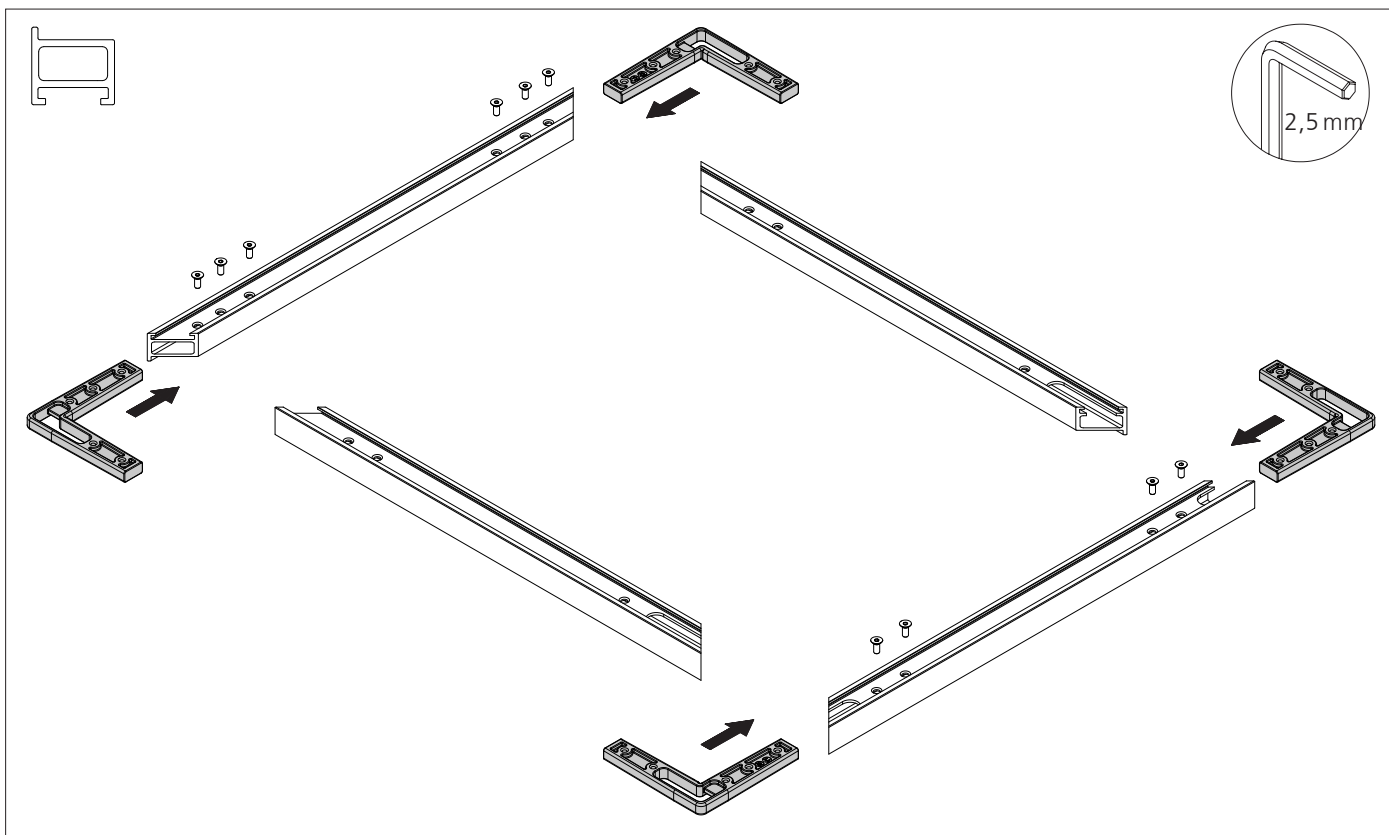
DRILLING PATTERN / MILLING PATTERN

FRAME PROFILE RPS / 22,5 mm / 29 mm

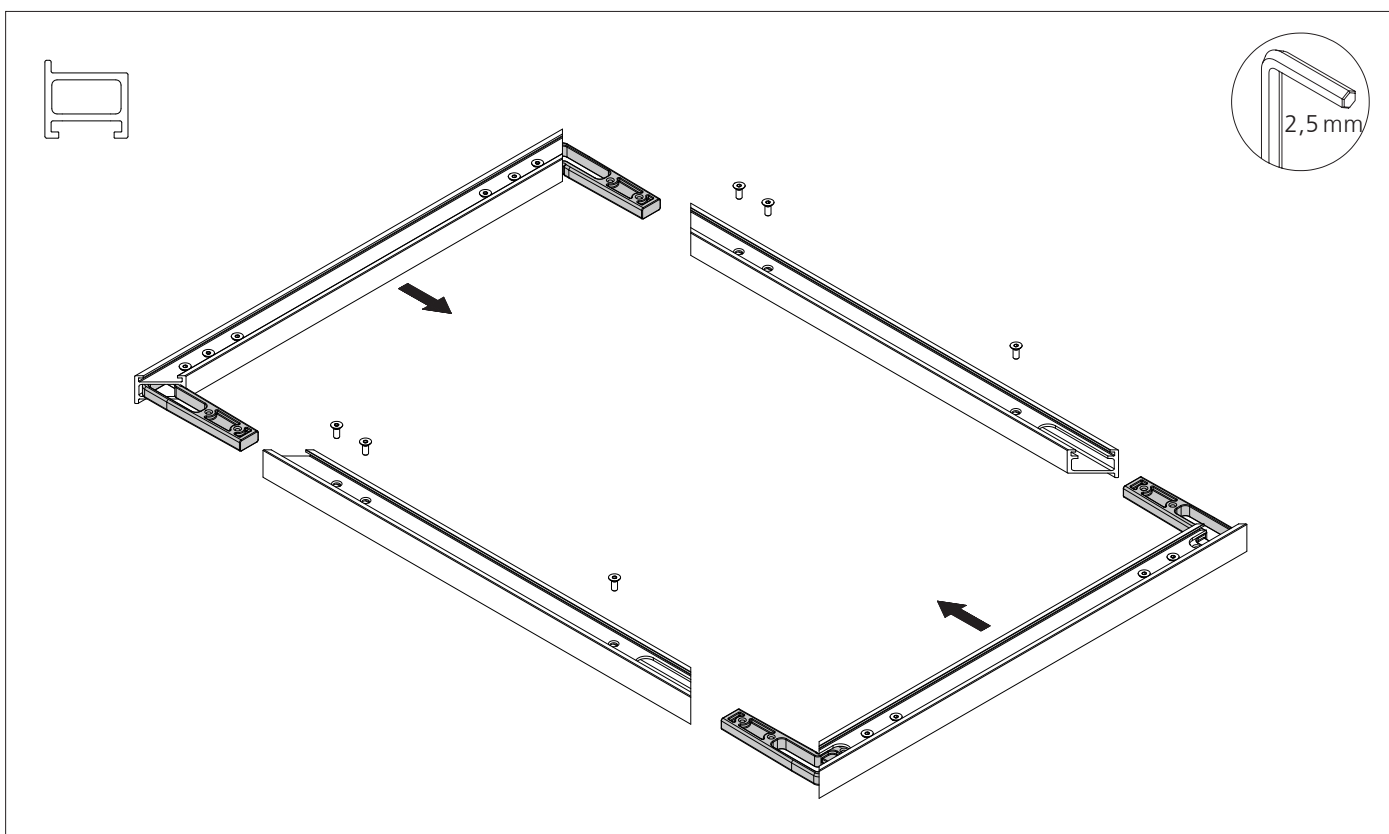


ASSEMBLY INSTRUCTION

FRAME PROFILE RPS / 22,5 mm



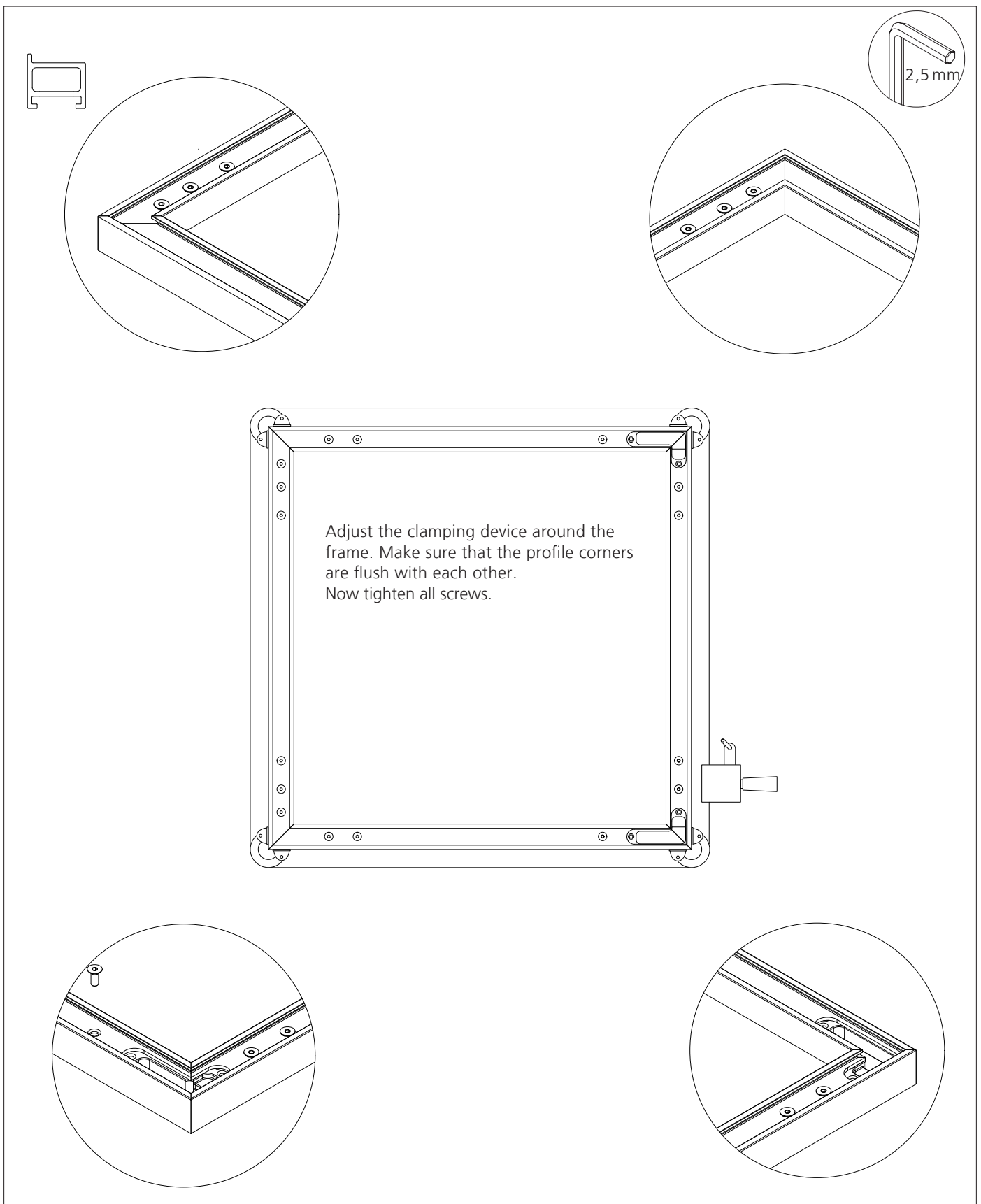
1_ Insert and screw the fitting set



2_ Insert and screw the fitting set

ASSEMBLY INSTRUCTION

FRAME PROFILE RPS / 22,5 mm

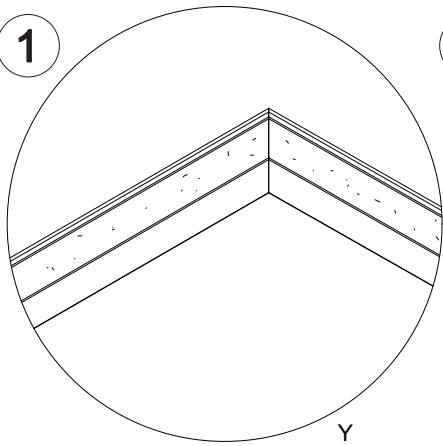


3_ Align frame and screw together

ASSEMBLY INSTRUCTION

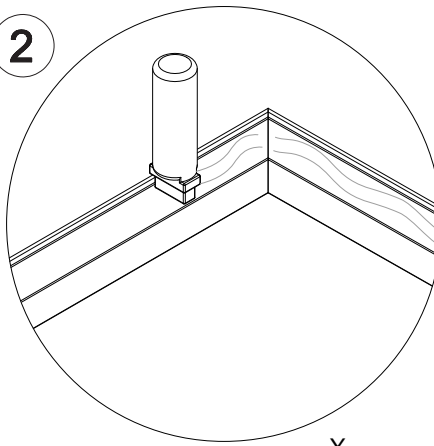
FRAME PROFILE RPS / 22,5 mm

1



Clean the adhesive surfaces on the profiles and on the back of the glass with cleaner. Use lint-free cloths. The surface has to be free of grease, oil or silicone films as well as dirt particles.

2



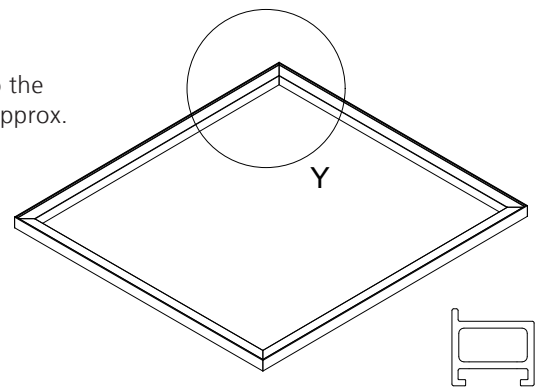
Apply a thin layer of primer to the adhesive surfaces, then wait approx. for five minutes until all of the remnants of the primer have evaporated.



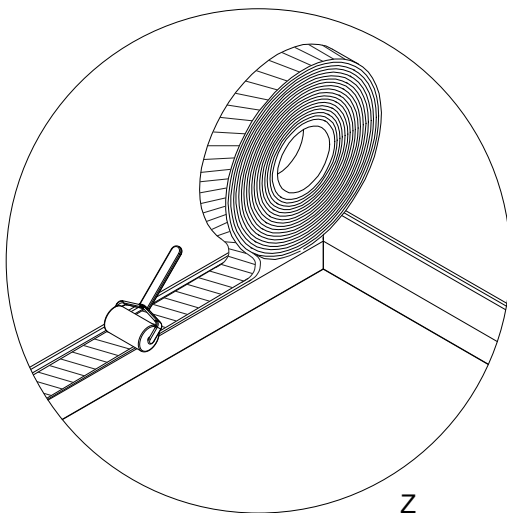
Attention:

for the profile 22,5 mm use only pianted glasses with security film or opaque film.

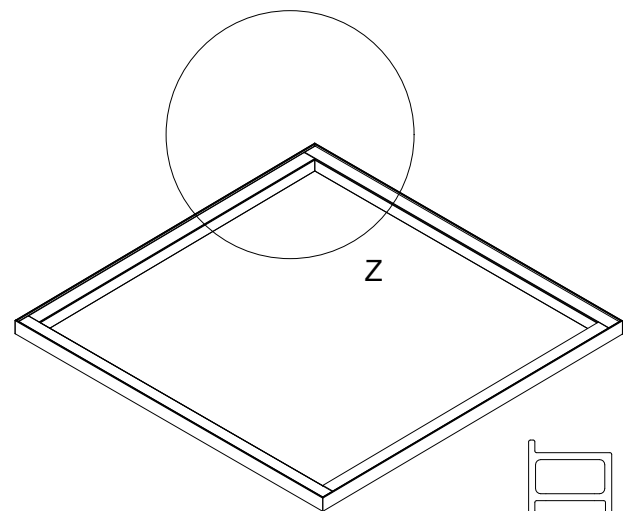
No transparent glass!



4_ Clean the adhesive surfaces / Apply primer



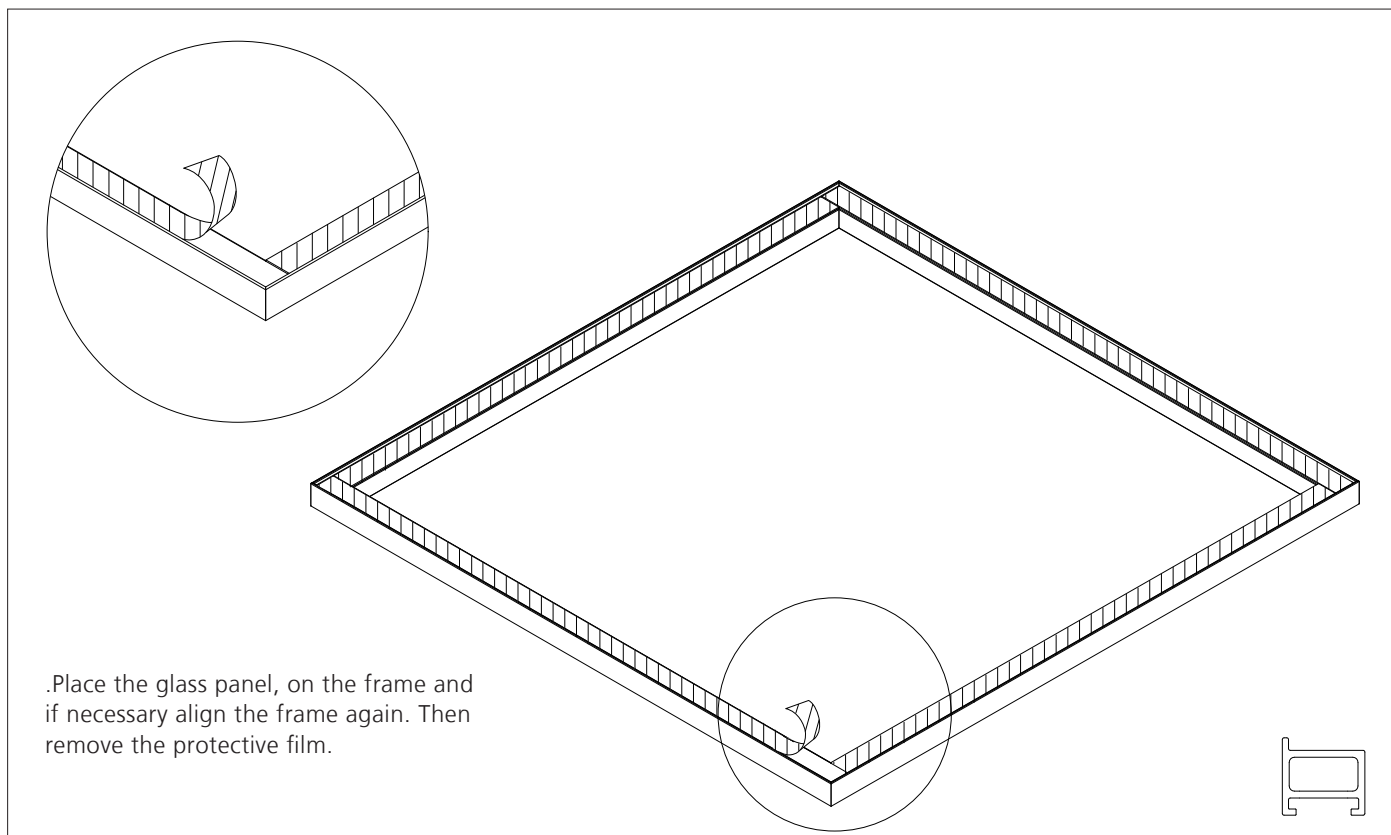
Attach the adhesive tape to the profiles without bubbles. The processing temperature should not be below 20°C! Afterwards press it tightly with the pinch roller (approx. 20N/cm²) Do not yet remove protective film!



5_ Affixing tape and press on

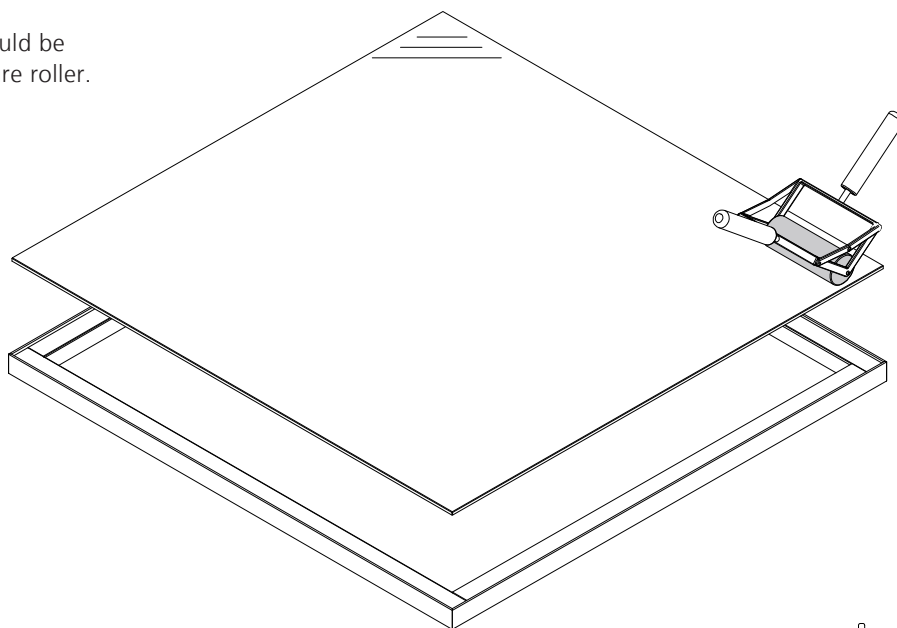
ASSEMBLY INSTRUCTION

FRAME PROFILE RPS / 22,5 mm



6_ Preparation of gluing

Clean and prime the glass before gluing.
The alignment of the glass panel after gluing is not possible!
After placing the glass panel it should be careful pressed by using the pressure roller.
(ca 20 N / cm²).



Applies to horizontal positioning the glued surfaces point upwards

adhesive force (50%)

at 20° C after 20 min

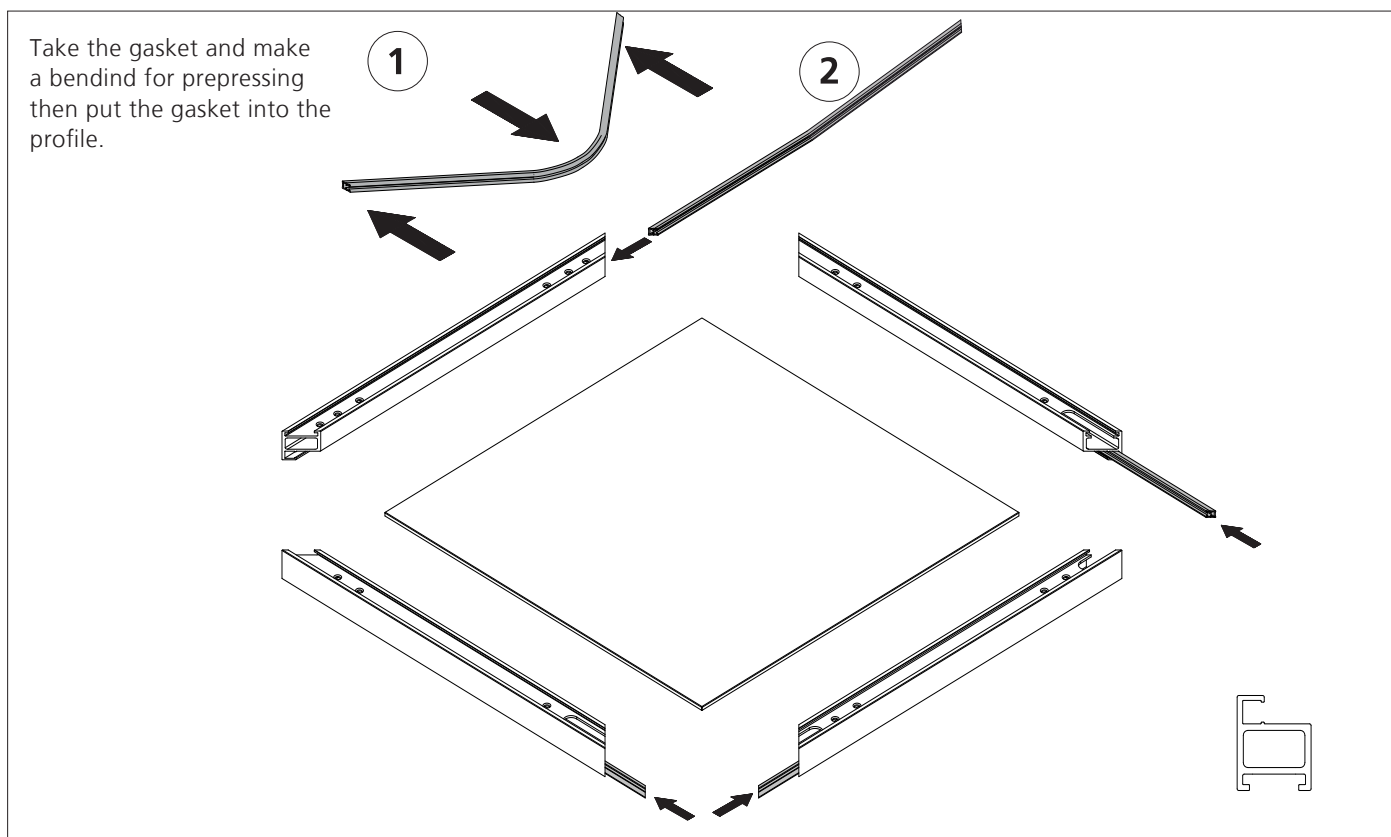
end adhesive force (100%)

at 20° C after 72 h

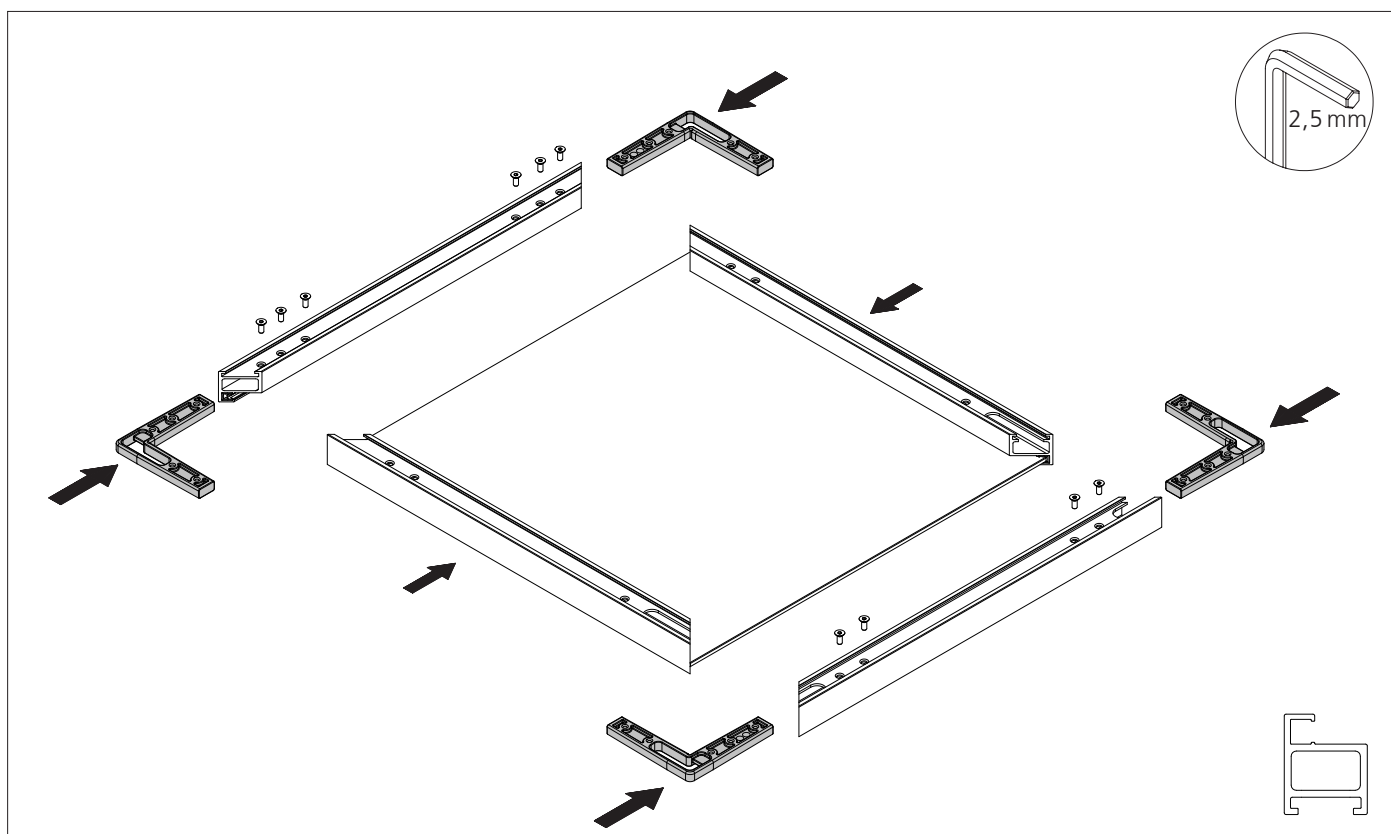
7_ Inserting the plate

ASSEMBLY INSTRUCTION

FRAME PROFILE RPS / 29 mm



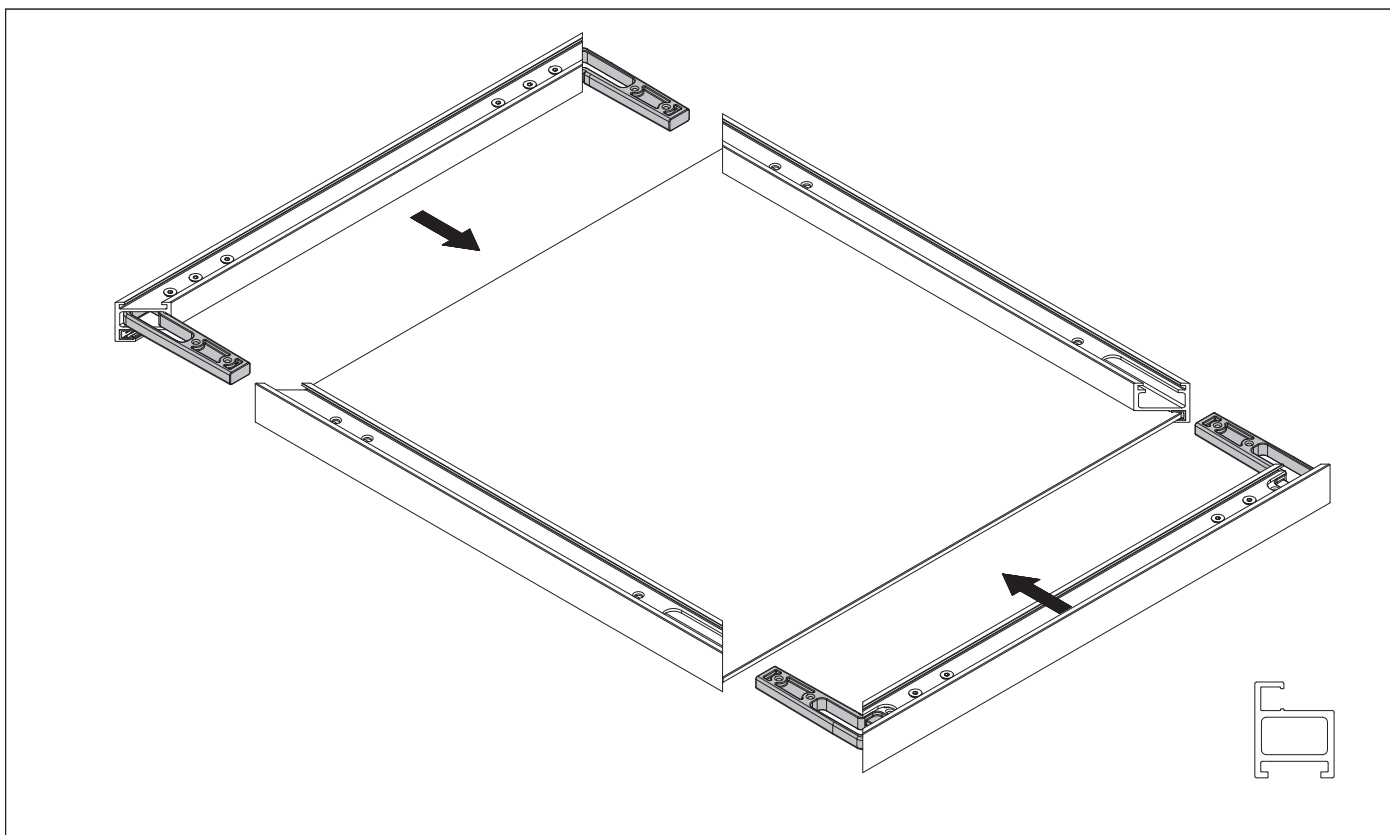
1_ Inserting the glass inclusion profile



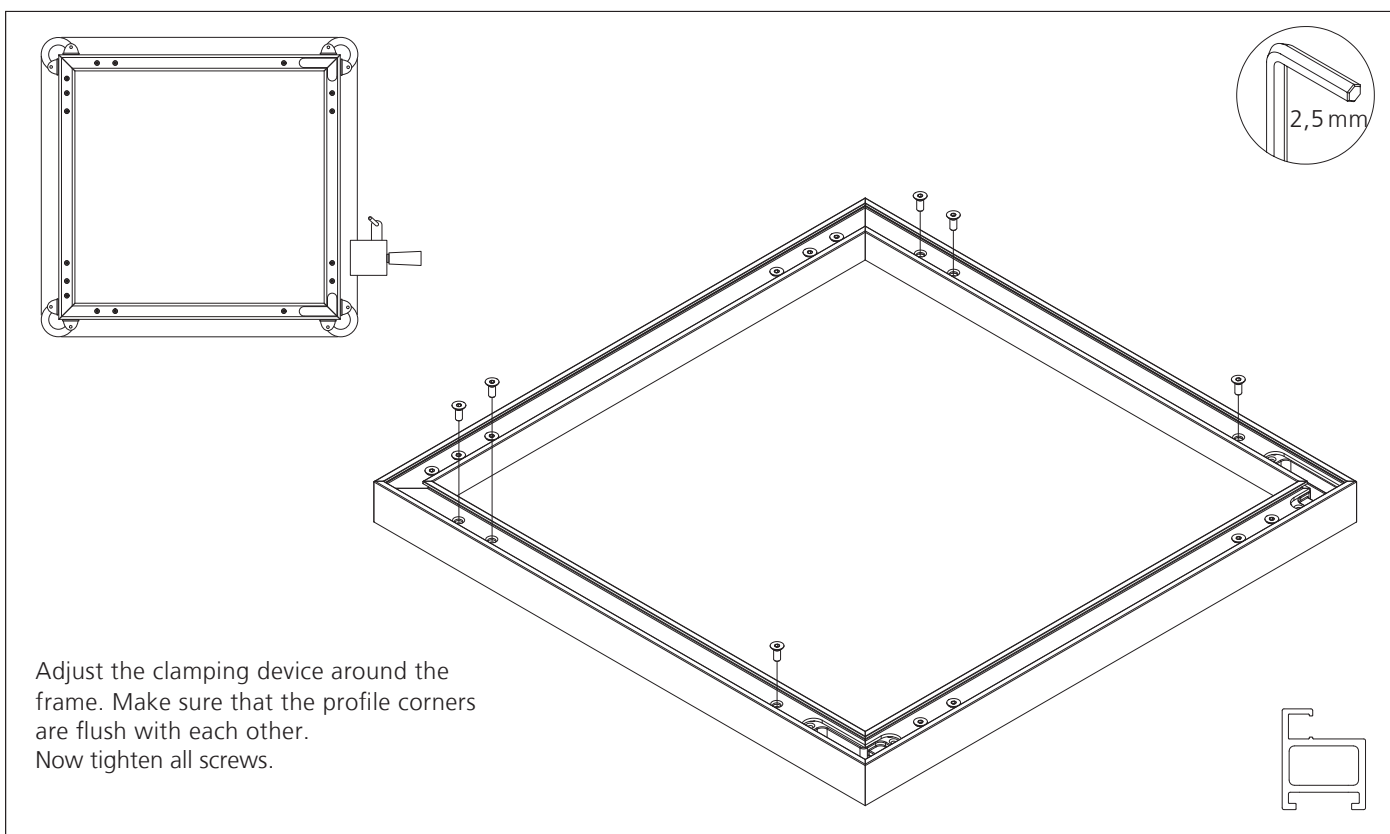
2_ Insert and screw the fitting set

ASSEMBLY INSTRUCTION

FRAME PROFILE RPS / 29 mm



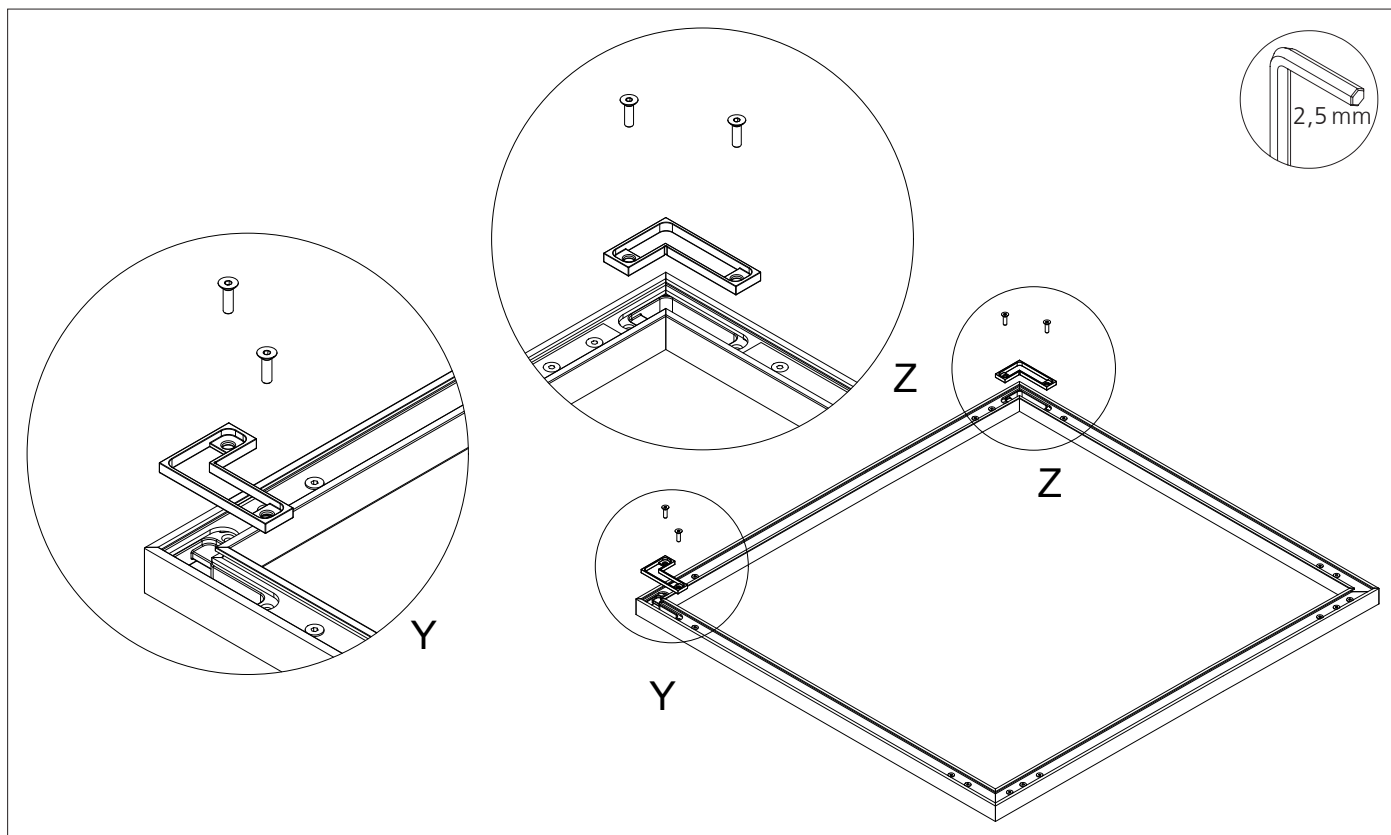
3_ Insert and screw the fitting set



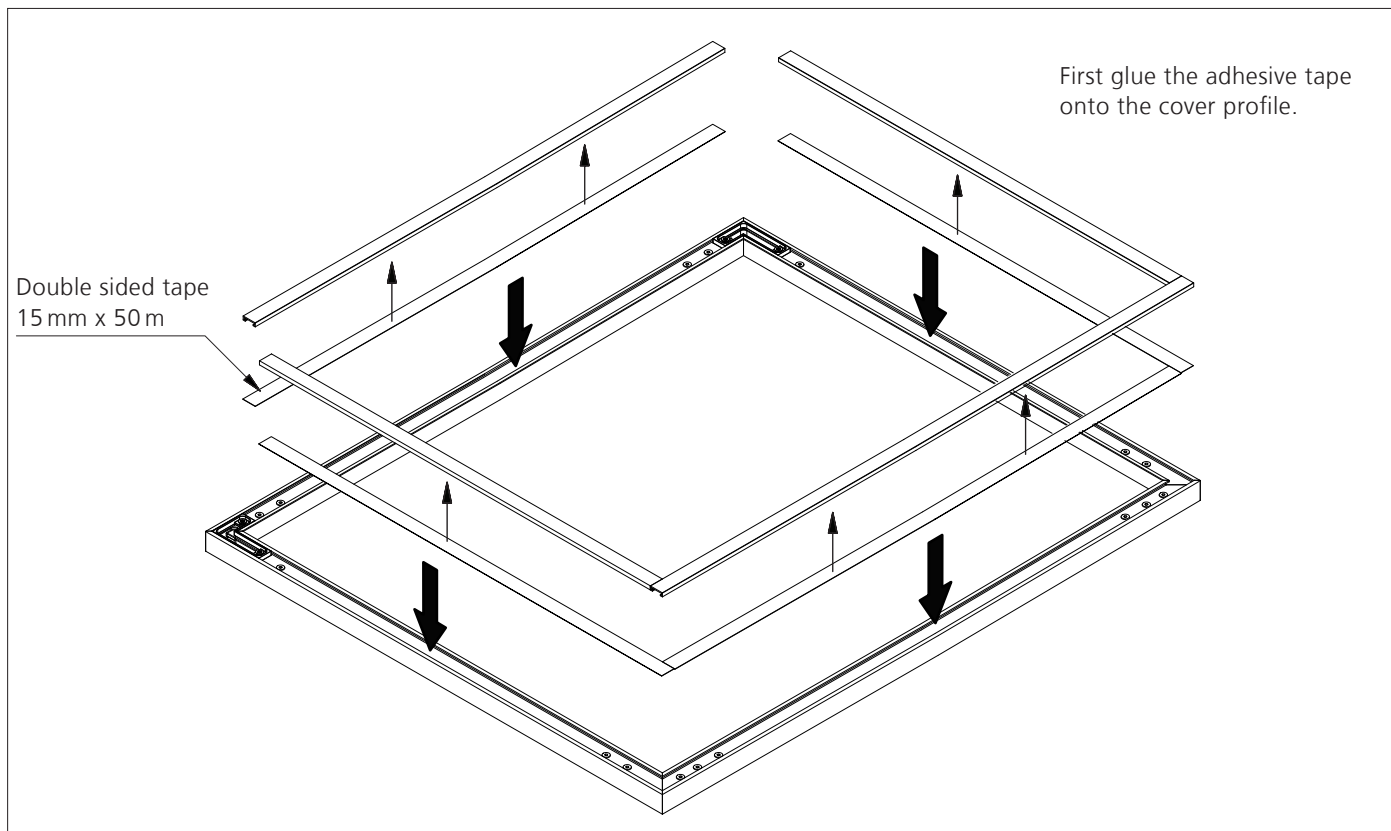
4_ Align frame and screw together

ASSEMBLY INSTRUCTION

FRAME PROFILE RPS / 22,5 mm / 29 mm



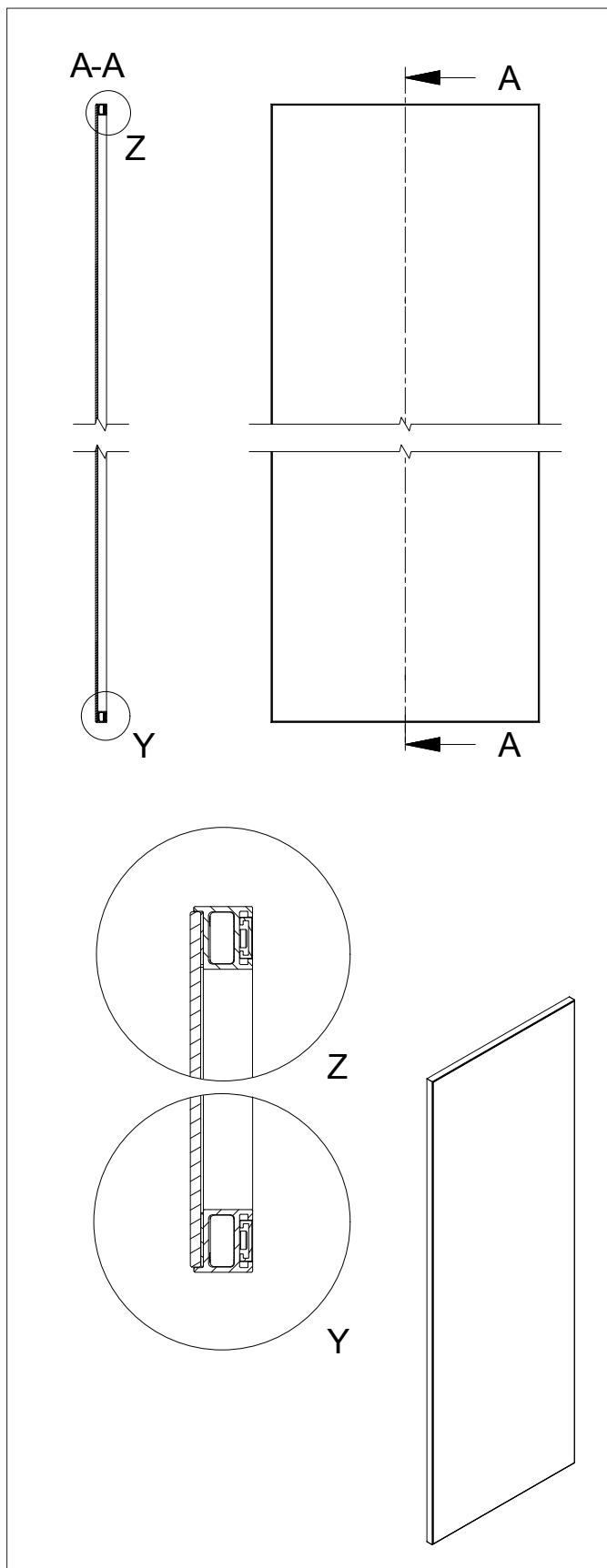
1_ Inserting the hinge mounting



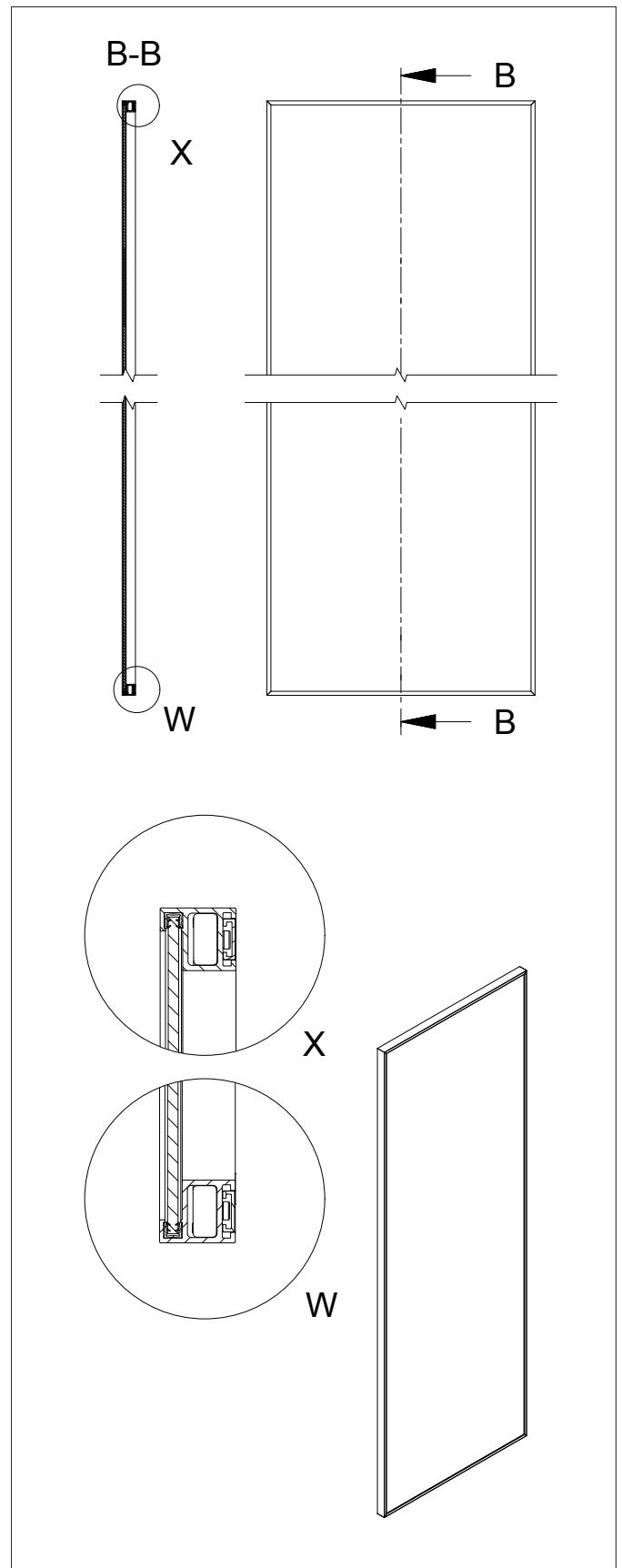
2_ Inserting the cover profile

DETAIL DRAWING

VERTICAL SECTION



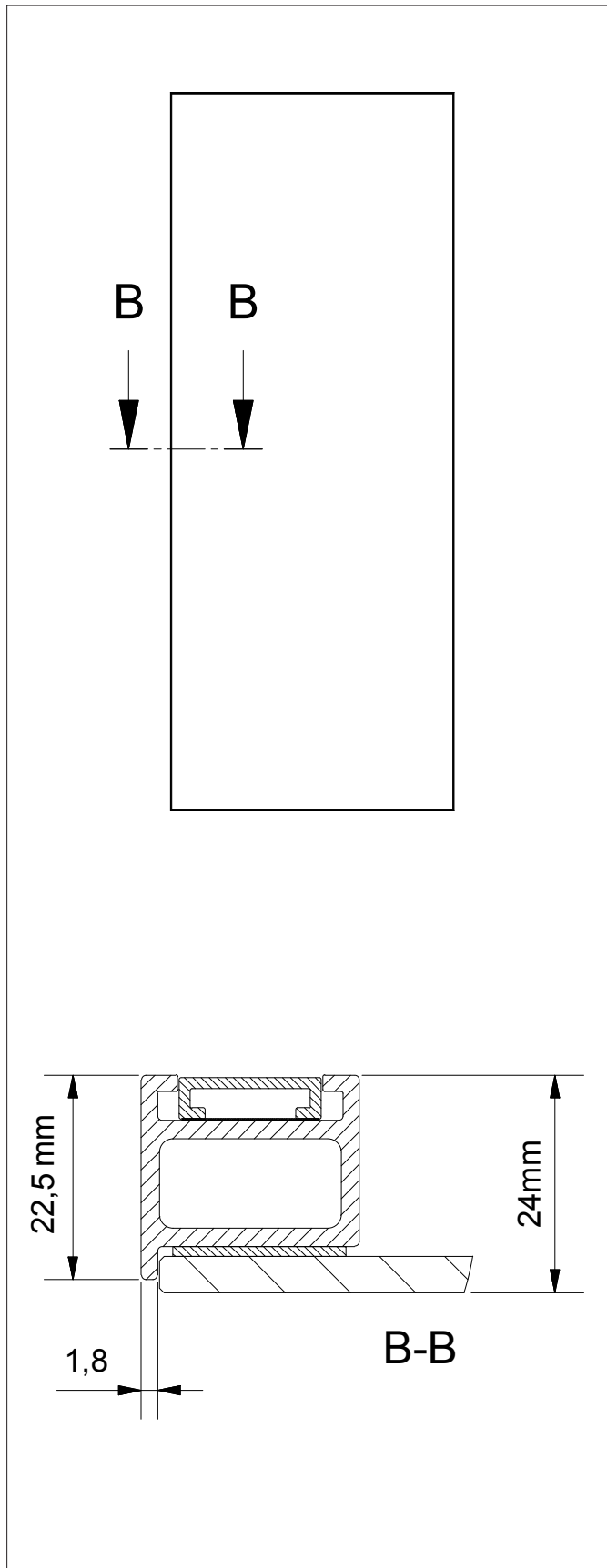
1_ RPS 22,5 mm



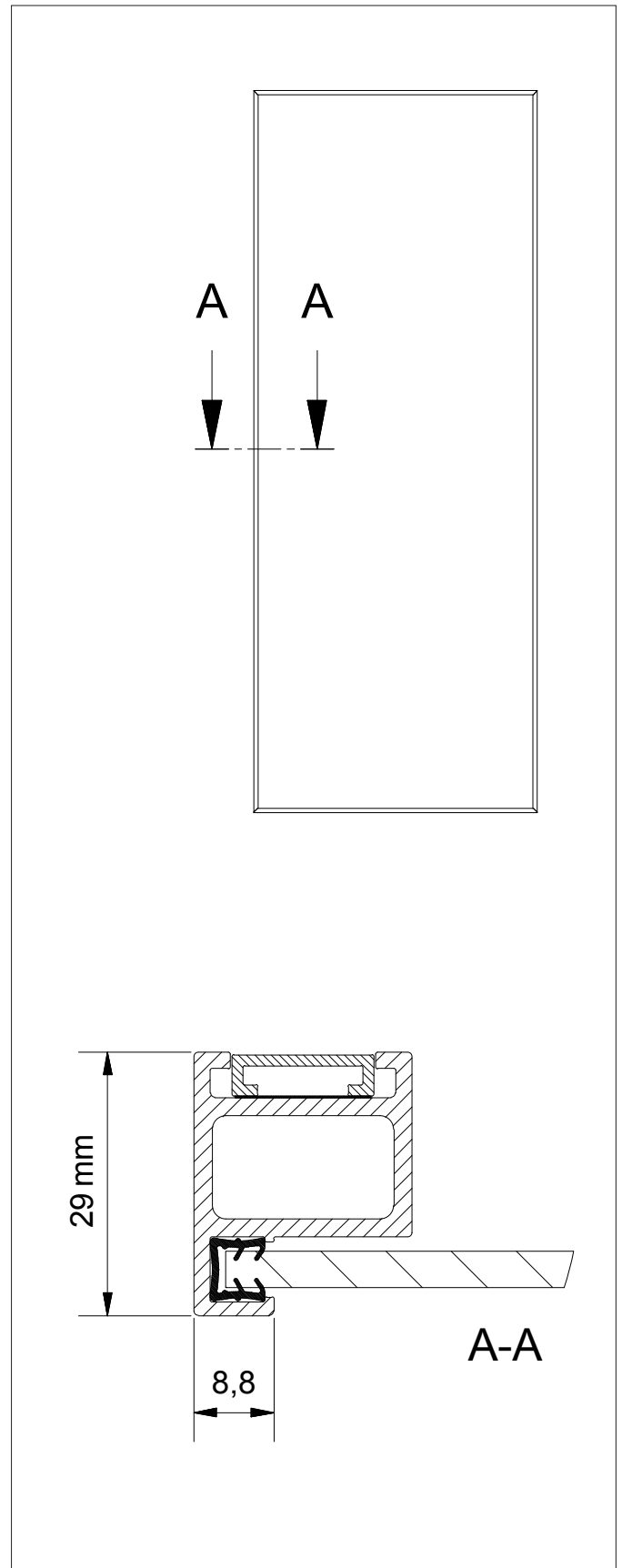
2_ RPS 29 mm

DETAIL DRAWING

HORIZONTAL SECTION



1_ RPS 22,5 mm



2_ RPS 29 mm