

# CLOSET SYSTEMS: ASSEMBLY INSTRUCTION

## FLUA ALUMINIUM FRAME DOOR

Version 1.0 (2019-05-07)

5.16.1.c

Assemble 

Subject to technical changes.

**raumplus**

# CONTENT AND TOOLS

## CONTENT:

Content and tools	page	02
Product information	page	03
Accessories	page	05
Detail drawings closet	page	06
Detail drawing position of the doors	page	07
Cutting dimensiona	page	08
Exploded drawing	page	10
Assembly instructions	page	12
Calculation of door width	page	16

## TOOLS:

(without claim of completeness)

- Allen key set
- Cross tip screwdriver
- Rubber mallet
- Water level
- Pencil
- Cordless screwdriver
- Cutter knife



### VERSION INFORMATION:








Version 1.0: Redesign of manual and product information added

# PRODUCT INFORMATION

## GENERAL INFORMATION: Preparation

- This manual is part of the product and describes the safe and proper installation of the system. Please read the instruction carefully before installation.
- Please note that the assembly should only be done by qualified and trained staff in strict compliance with all details indicated in this document. Improper installation in variation from manufacturer's specification may cause defects and danger, thus endangering the safe fixing of the product as well as the safety of the prospective user. The liability of the manufacturer shall be excluded in case of defects and consequential damages resulting from incorrect assembly of this product.
- Please check the completeness of the delivered parts and check carefully if any transport damages are visible.
- If any parts are damaged or lost, please immediately contact the responsible supplier.
- It is assumed that you have exactly identified all cutting dimensions according to the measurement instruction for **raumplus** products.

## SYMBOLS:

Symbol	Importance
	Risk or danger
	Advice and information
	Additional information / other documents
	Directional data / direction of movement
	„yes“ and „right“
	„no“ and „wrong“
	Follow the order

## SYSTEM:

### System Information: Flua aluminium frame door

- max. weight of element = **60 kg**
- min./max. door height = **700 mm / 2750 mm**
- min./max. door width = **750 mm / 1800 mm**
- Panel = **4 – 10 mm**

# PRODUCT INFORMATION

## GENERAL INFORMATION: **Product safety**

- The closet system complies with the prior of the art and the authorized safety rules at the time of delivery.

## USE:

### **Intended use**

- The prerequisite for the intended use of our products is the professional installation according to our installation instruction. Sufficient fittings must be available and durably installed to all relevant places.  
The function of the fitting must not be hindered or altered during installation.
- Special solutions are only possible in consultation with **raumplus**.

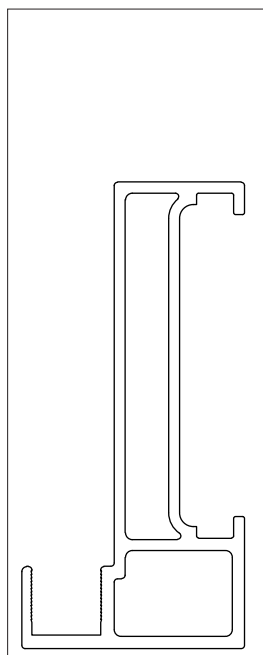
### **Use not as intended**

- Risk or danger may occur in the following cases:
  - the door system has improperly been installed or maintained
  - the safety and installation instructions have not been followed.
  - after improper installation or inadequate fixing ( e.g. to parts of buildings)
  - the maximum weight of the doors has been exceeded.
  - improper shock and case loads or other additional loads on the fittings have occurred
  - the fittings have been used outside.
  - body parts or objects got in to the closing edges or door runnings during use of the door wing.
  - the door system is not used as intended.

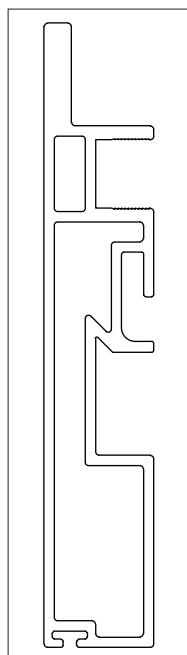
### **Structural modifications**

- structural modifications that are not offered as an accessory from **raumplus** may only be attached or installed with permission of **raumplus GmbH**!

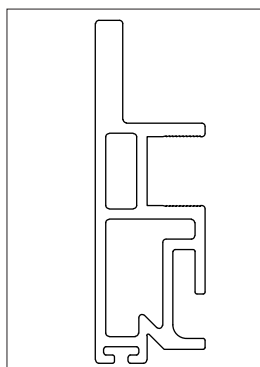
# ACCESSORIES



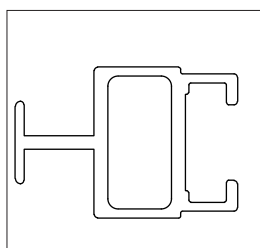
1\_ 21.04.0xx



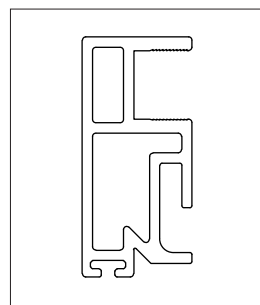
2\_ 21.21.0xx



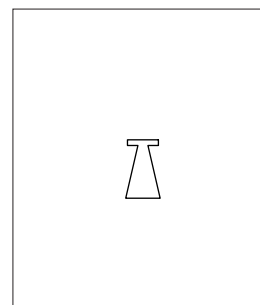
3\_ 21.11.0xx



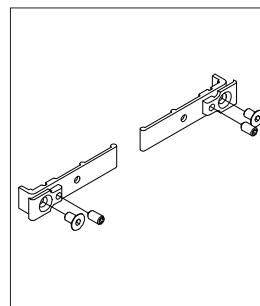
6\_ 21.22.0xx



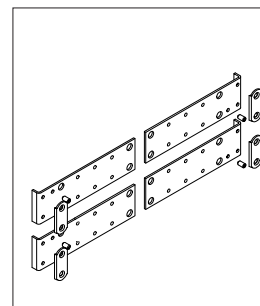
4\_ 21.01.0xx



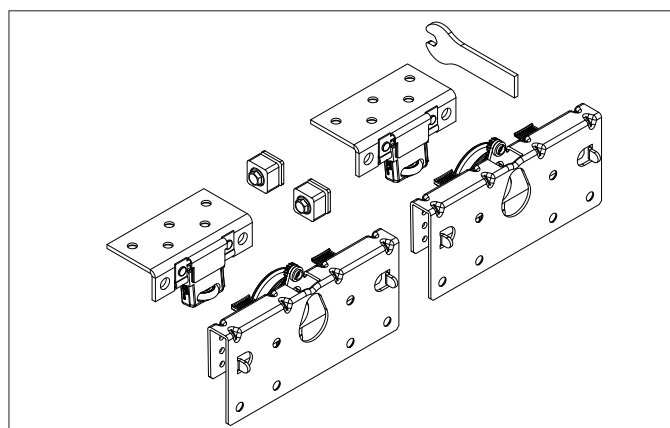
5\_ 10.20.060



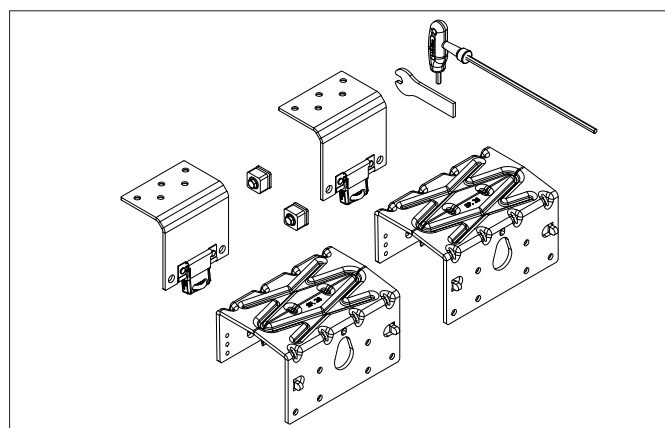
7\_ 10.22.070



8\_ 10.20.030



9\_



10\_

1\_ Top and bottom rail Flua

2\_ Stile **L** Flua

3\_ Stile **M** Flua

4\_ Stile **S** Flua

5\_ Dust excluding brush grey

Dust excluding brush white (10.20.061)

6\_ Dividing rail Flua

7\_ Connector set for dividing rail Flua

8\_ Frame connector set Flua

9\_ Sliding mechanism set exterior door (10.20.110)

10\_ Sliding mechanism set interior door (10.20.120)

**without illustration:**

11\_ Countersunk head screw DIN7982f-h (10.20.027)

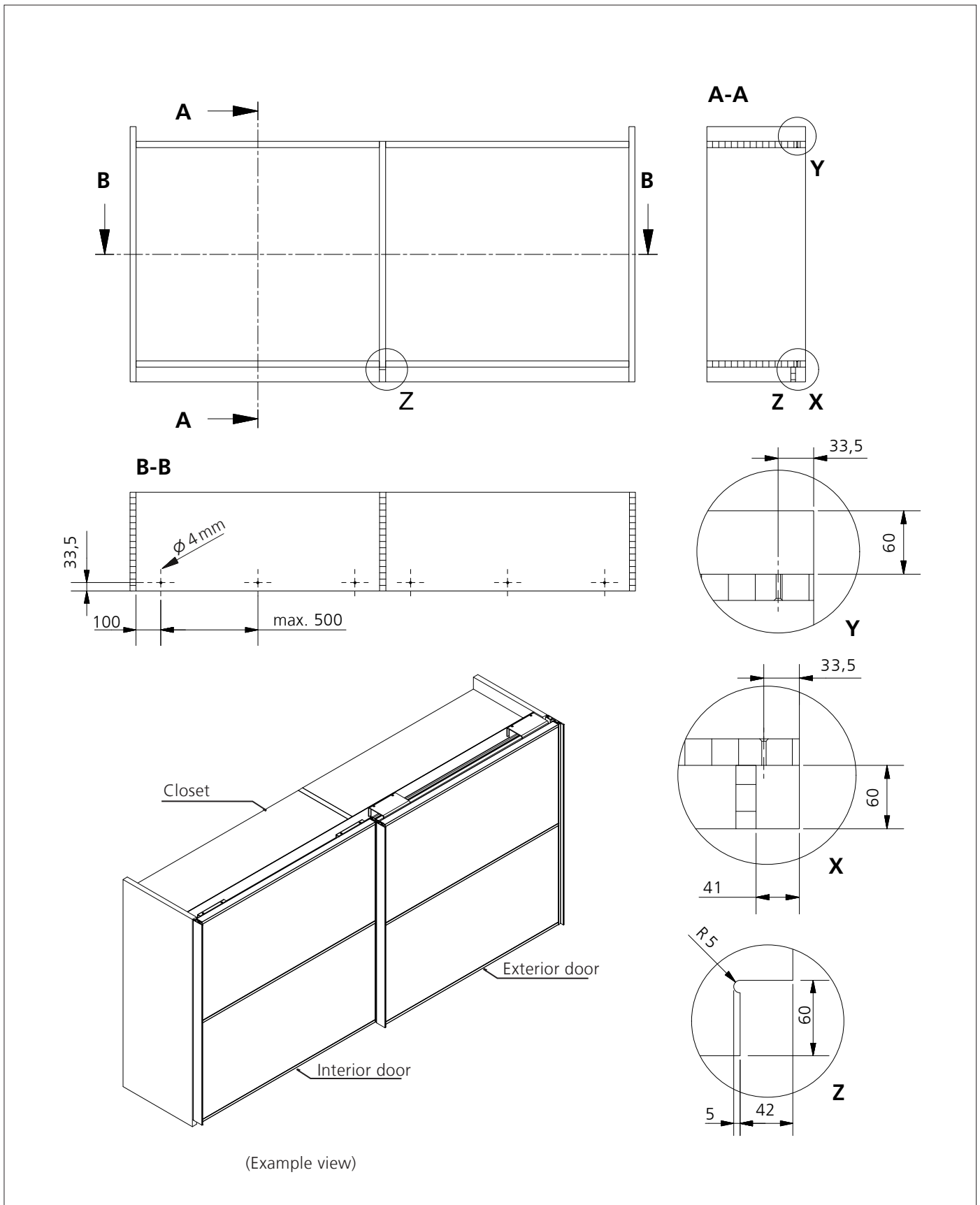
3,9x27 mm for 19 mm panels (10.20.032)

12\_ Countersunk head screw DIN7982f-h

3,9x32 mm for 25 mm panels

# DETAIL DRAWING

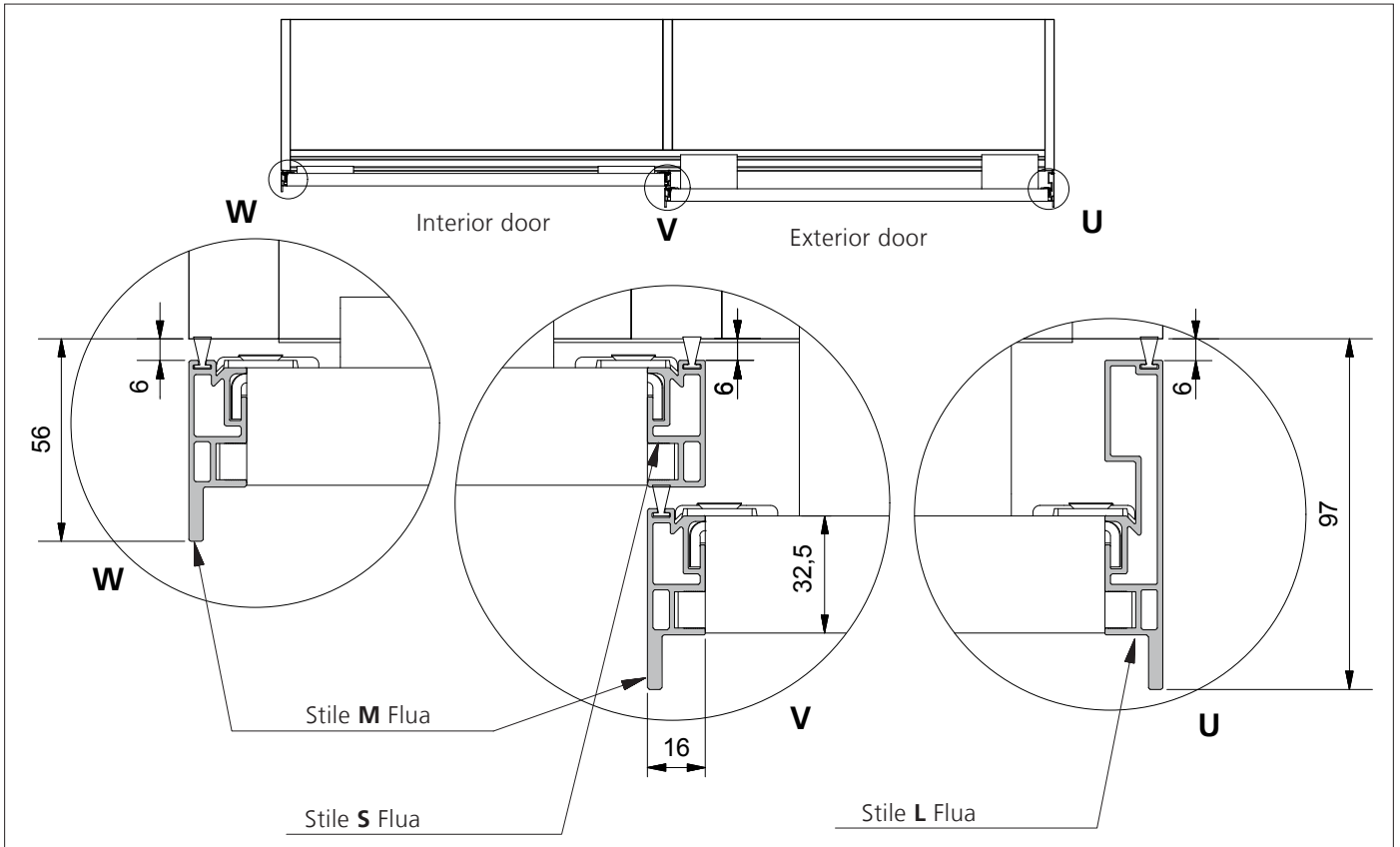
CLOSET



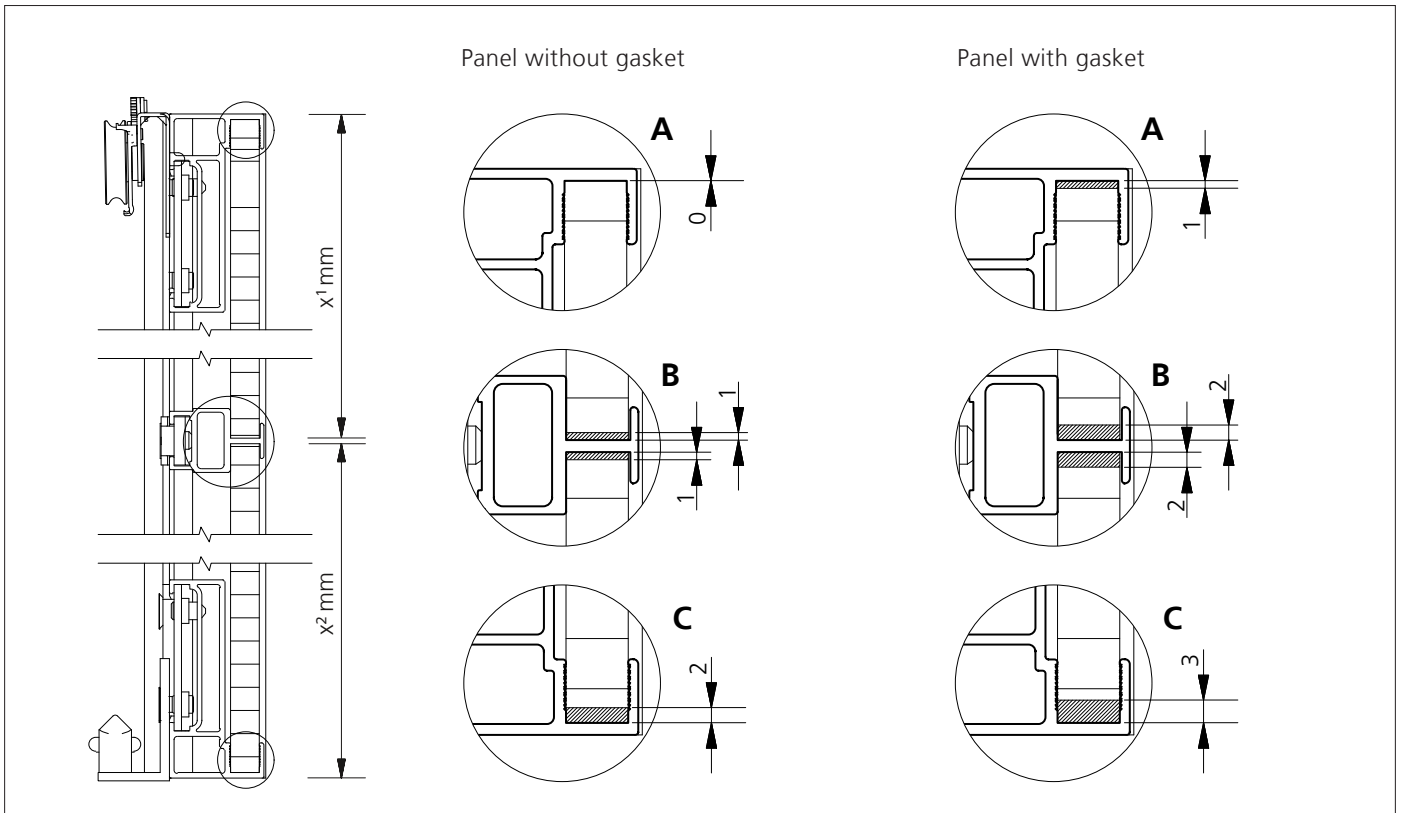
1\_ Closet

# DETAIL DRAWING

## POSITION OF THE DOORS



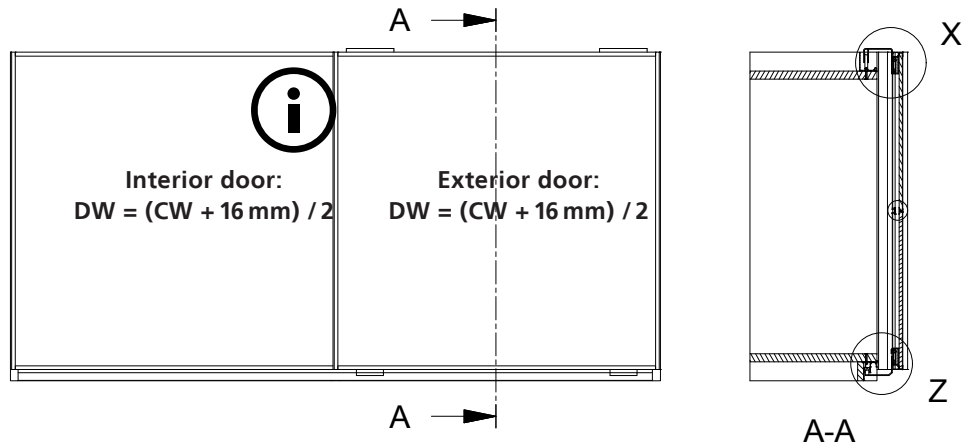
1\_ Cross-section, two doors



2\_ Cutting dimension for dividing rail

# CUTTING DIMENSIONS

INTERIOR AND EXTERIOR DOOR



Panel: 4 - 10 mm

**Cutting measures:**

**Door width (DW)** = (closet width (CW) + 16 mm) / 2

**Door height (DH)** = closet height (CH) - 35 mm

**Length of vertical profile** = Door height

**Length of horizontal profile** = Door width - 32 mm

**Panel without gasket** = Door width - 19 mm

Door height - 6 mm

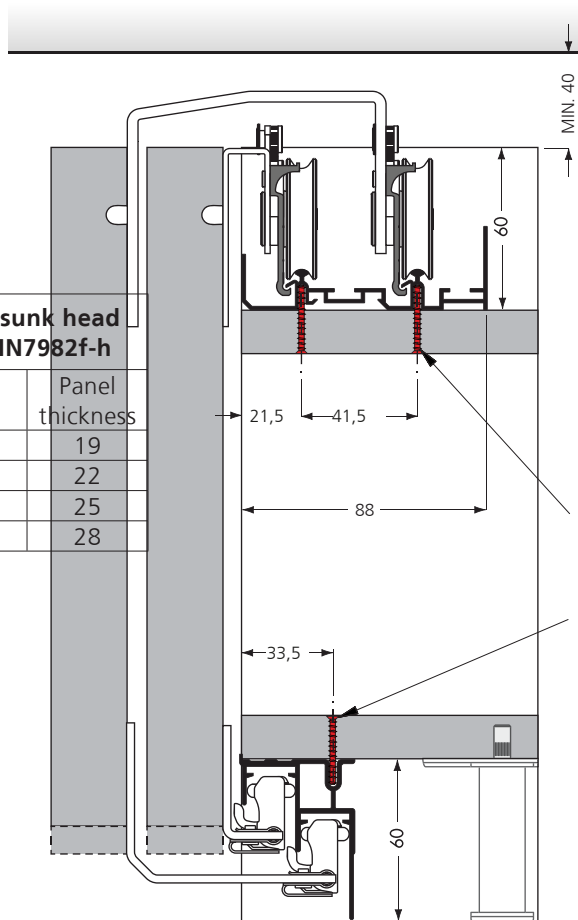
**Panel with gasket** = Door width - 19 mm

Door height - 8 mm



**Countersunk head screw DIN7982f-h**

Screw length	Panel thickness
27	19
29	22
32	25
35	28



2\_ Cutting dimensions / vertical section



# CUTTING DIMENSIONS

FLUA ALUMINIUM FRAME DOOR

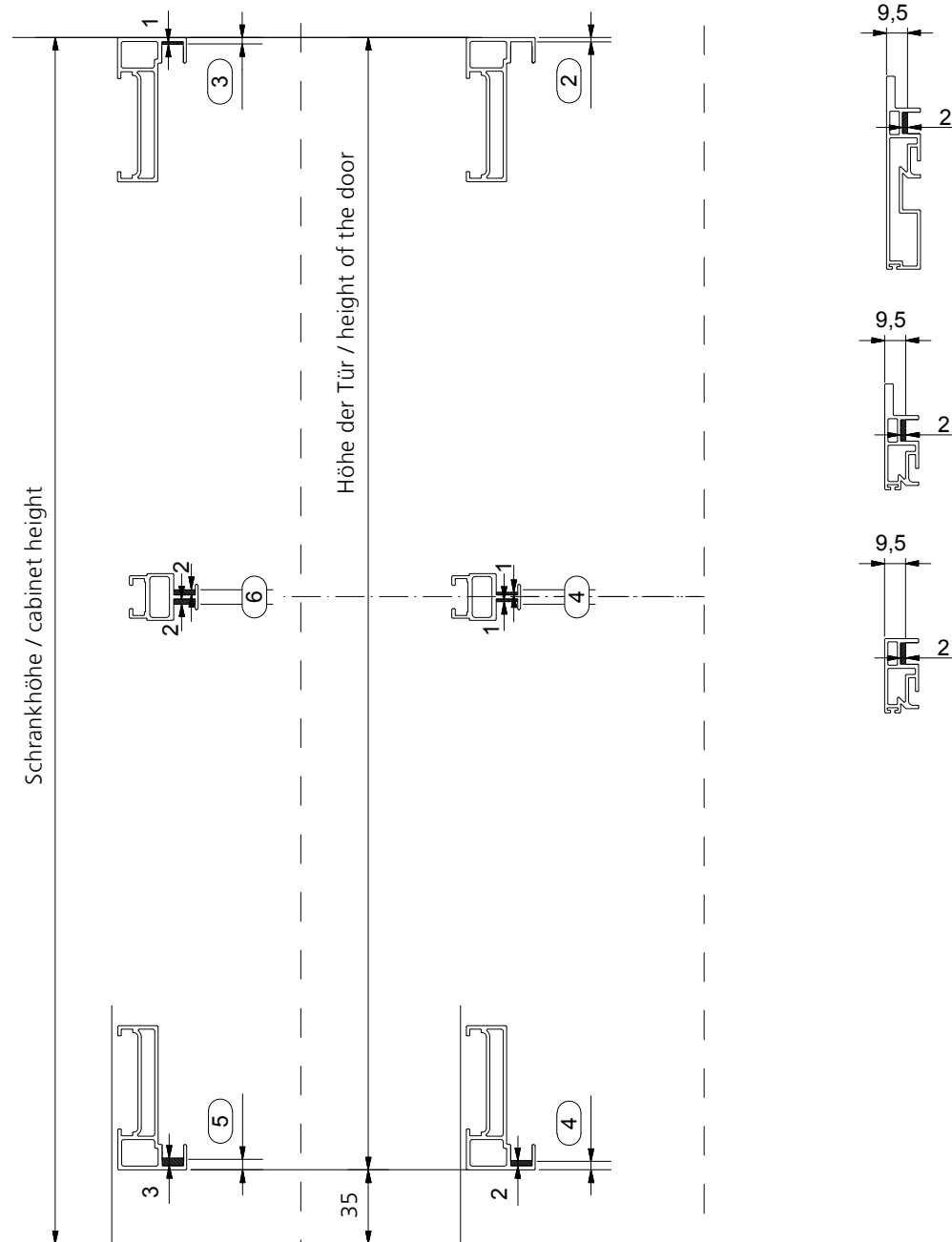
Höhenanzug (ohne Sprosse)  
Cutting measure height (without dividing rail)

Breitenabzug  
Cutting measure width

mit Spiegeleinfassprofil  
with gasket = 8 mm

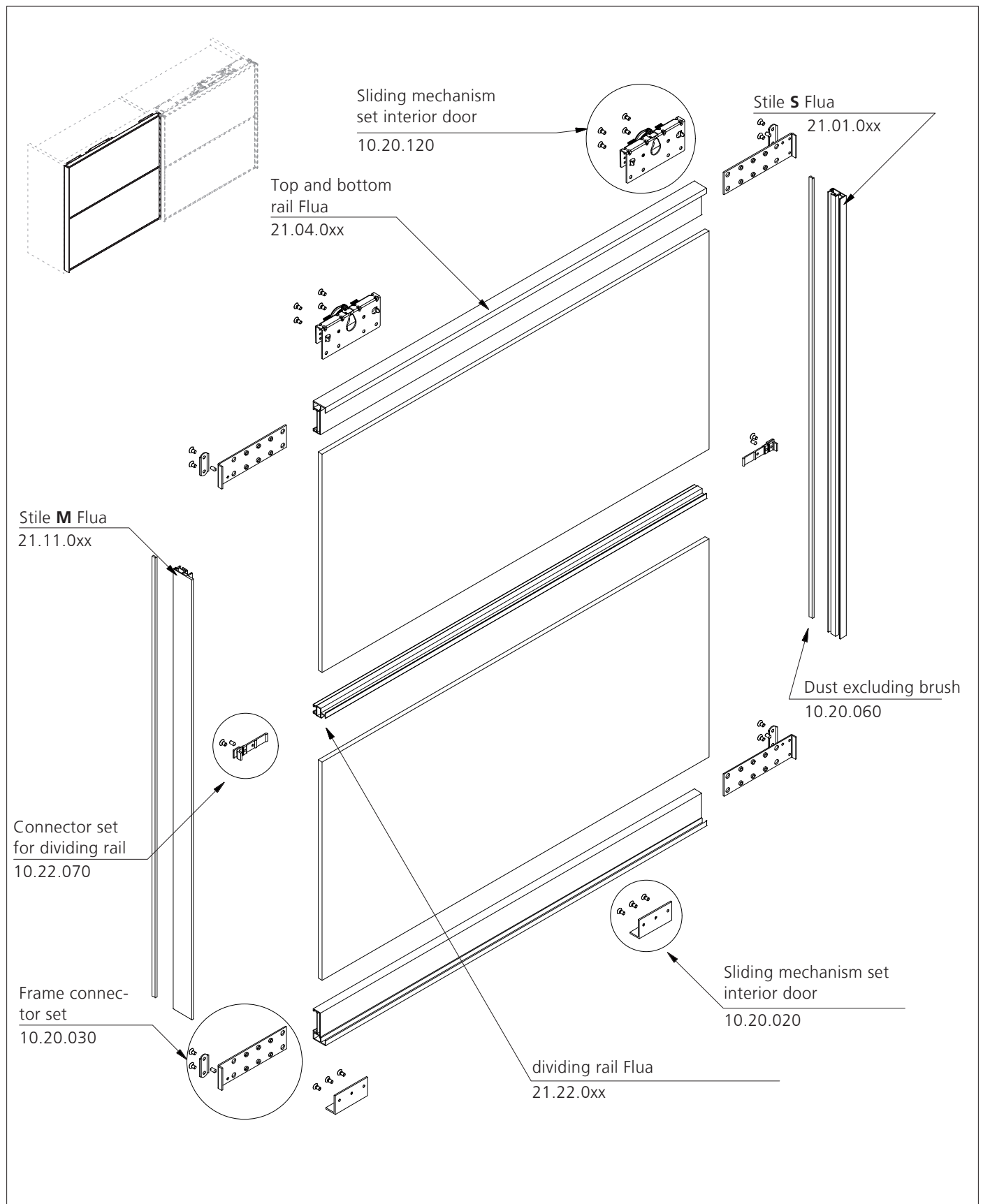
ohne Spiegeleinfassprofil  
w/o gasket = 6 mm

ohne / mit Spiegeleinfassprofil  
without / with gasket = 19 mm



# INTERIOR DOOR

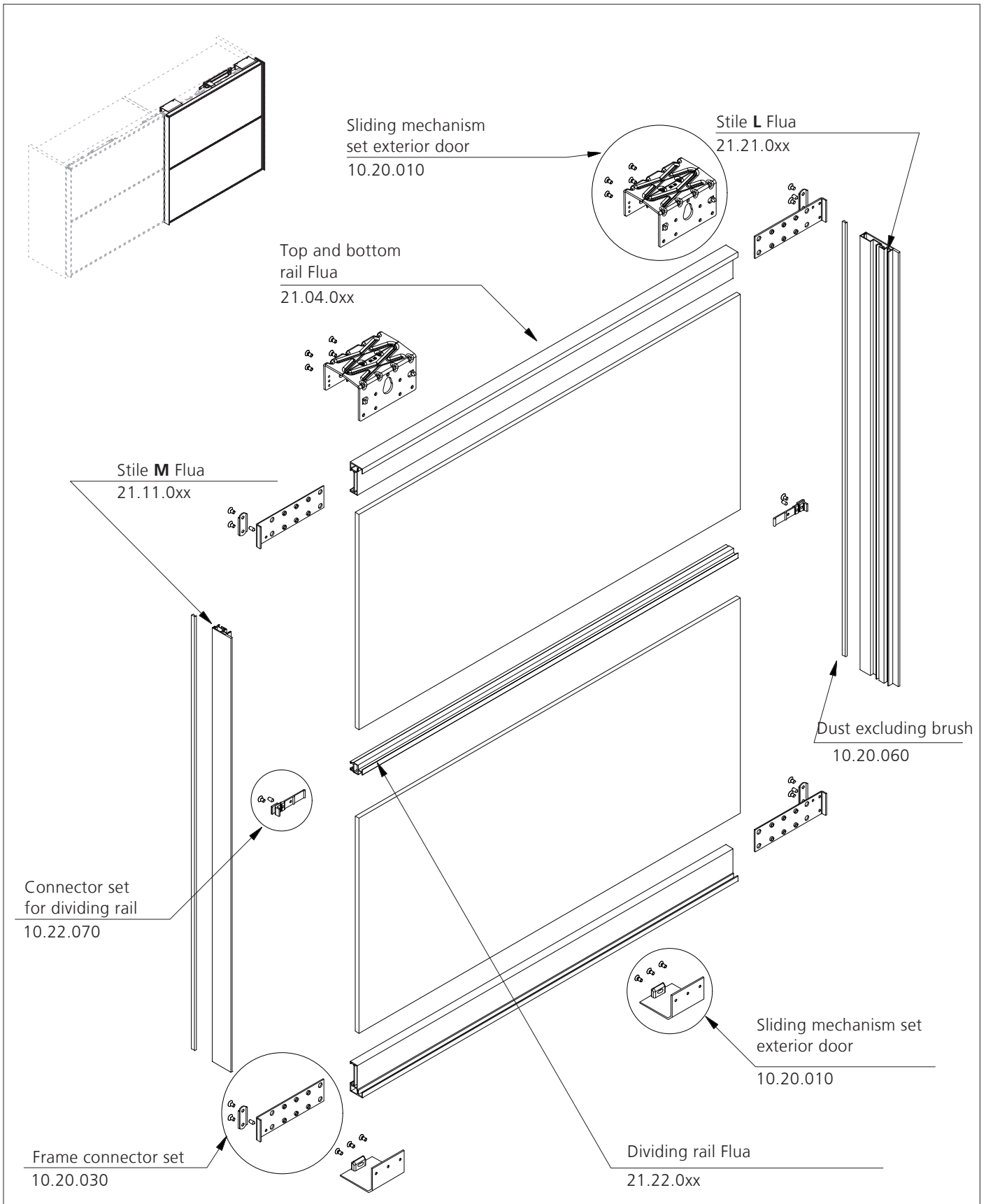
EXPLODED DRAWING



1\_ Interior door with dividing rail and fittings

# EXTERIOR DOOR

EXPLODED DRAWING

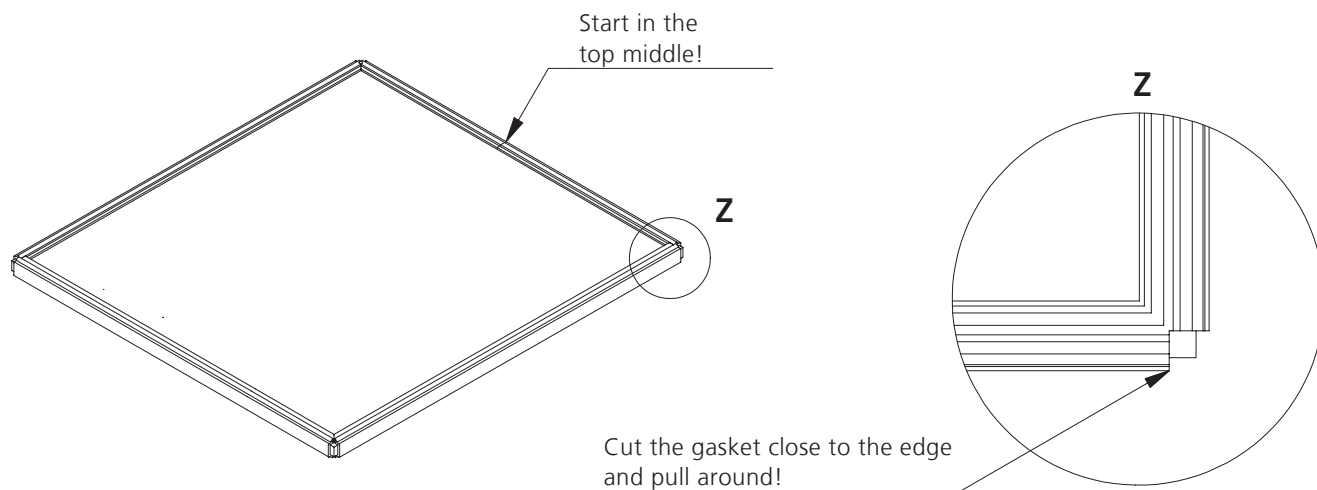


2\_ Exterior door with dividing rail and fittings

# ASSEMBLY INSTRUCTIONS

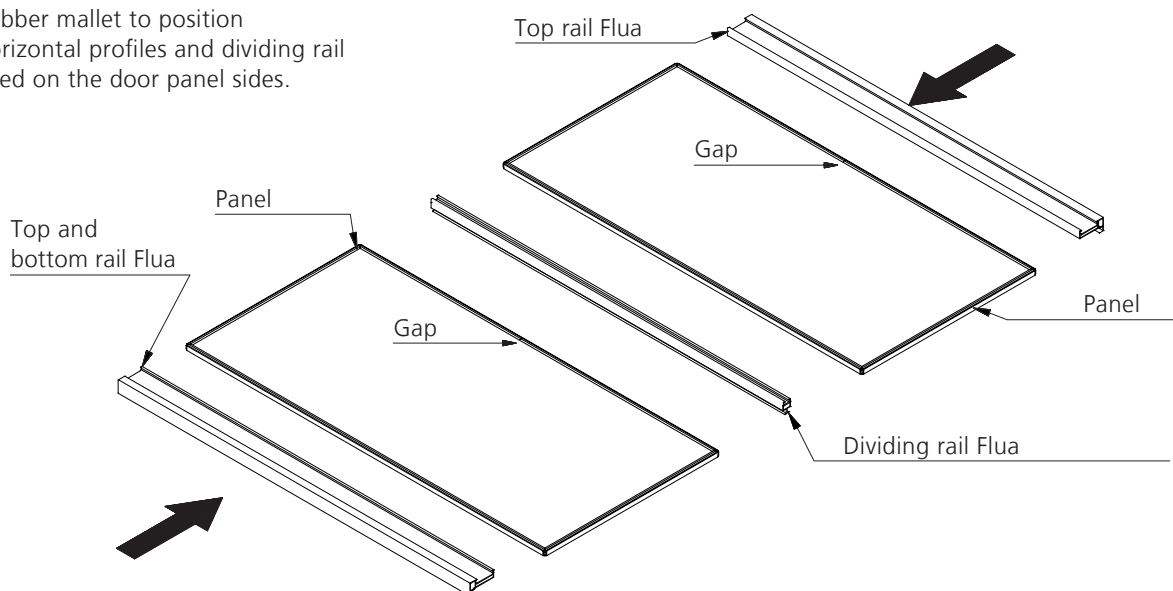
## PANELS

Gasket is only necessary for panels with **less than 10 mm thickness!**



1\_ Place panel on a table, affix gasket.

Use rubber mallet to position the horizontal profiles and dividing rail centered on the door panel sides.

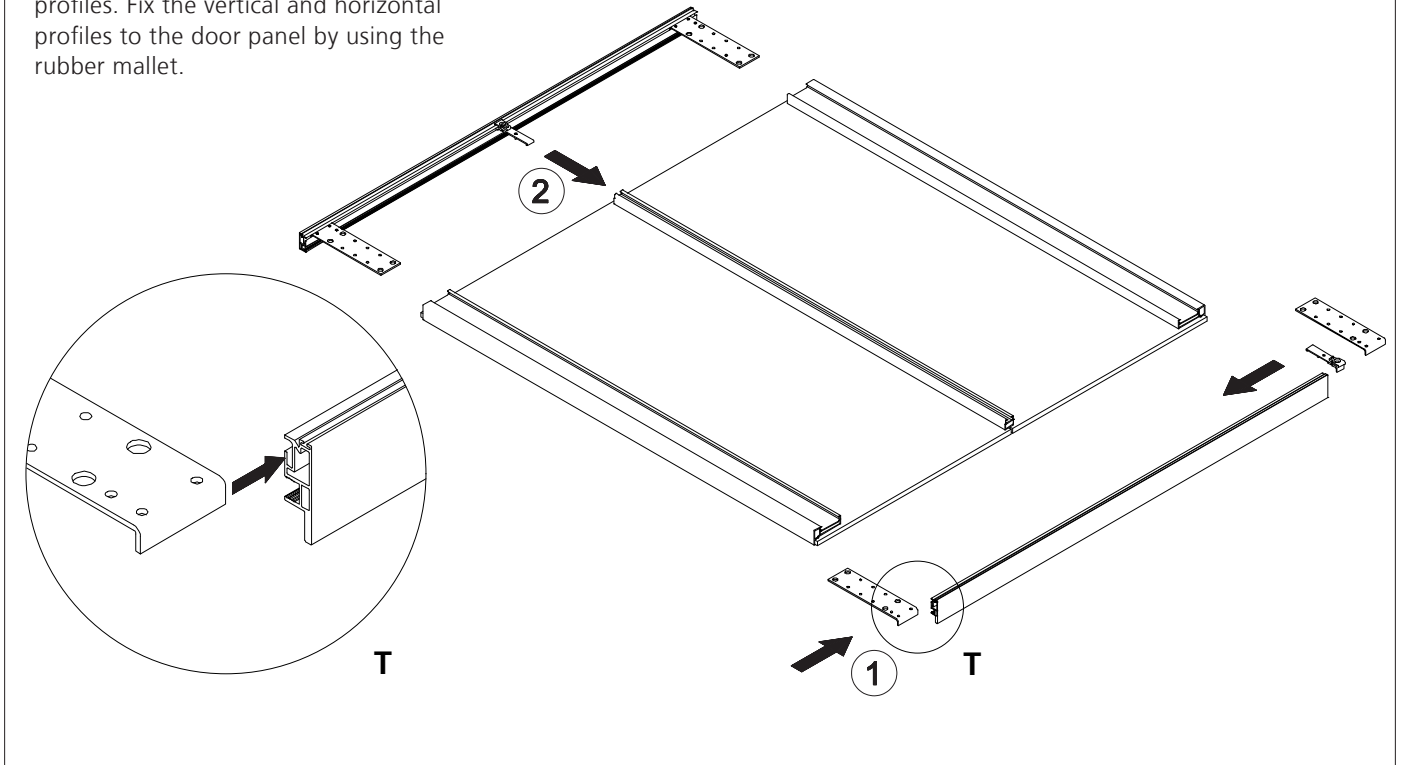


2\_ Mounting the horizontal rail.

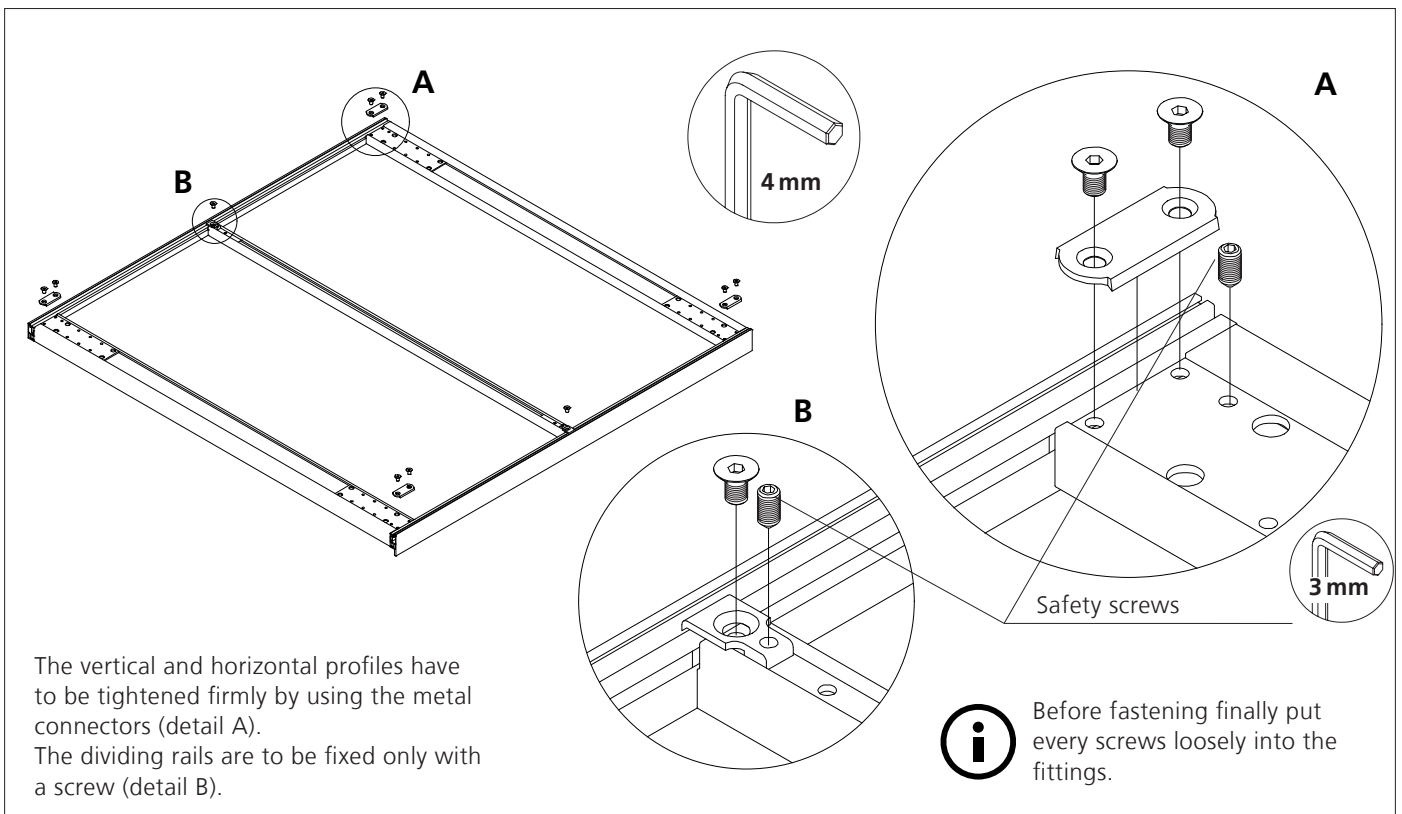
# ASSEMBLY INSTRUCTIONS

## DOORS

Insert the fittings (loose) into the vertical profiles. Fix the vertical and horizontal profiles to the door panel by using the rubber mallet.



**3\_** Preparation of the door (example interior door) pay attention to the corresponding profiles.



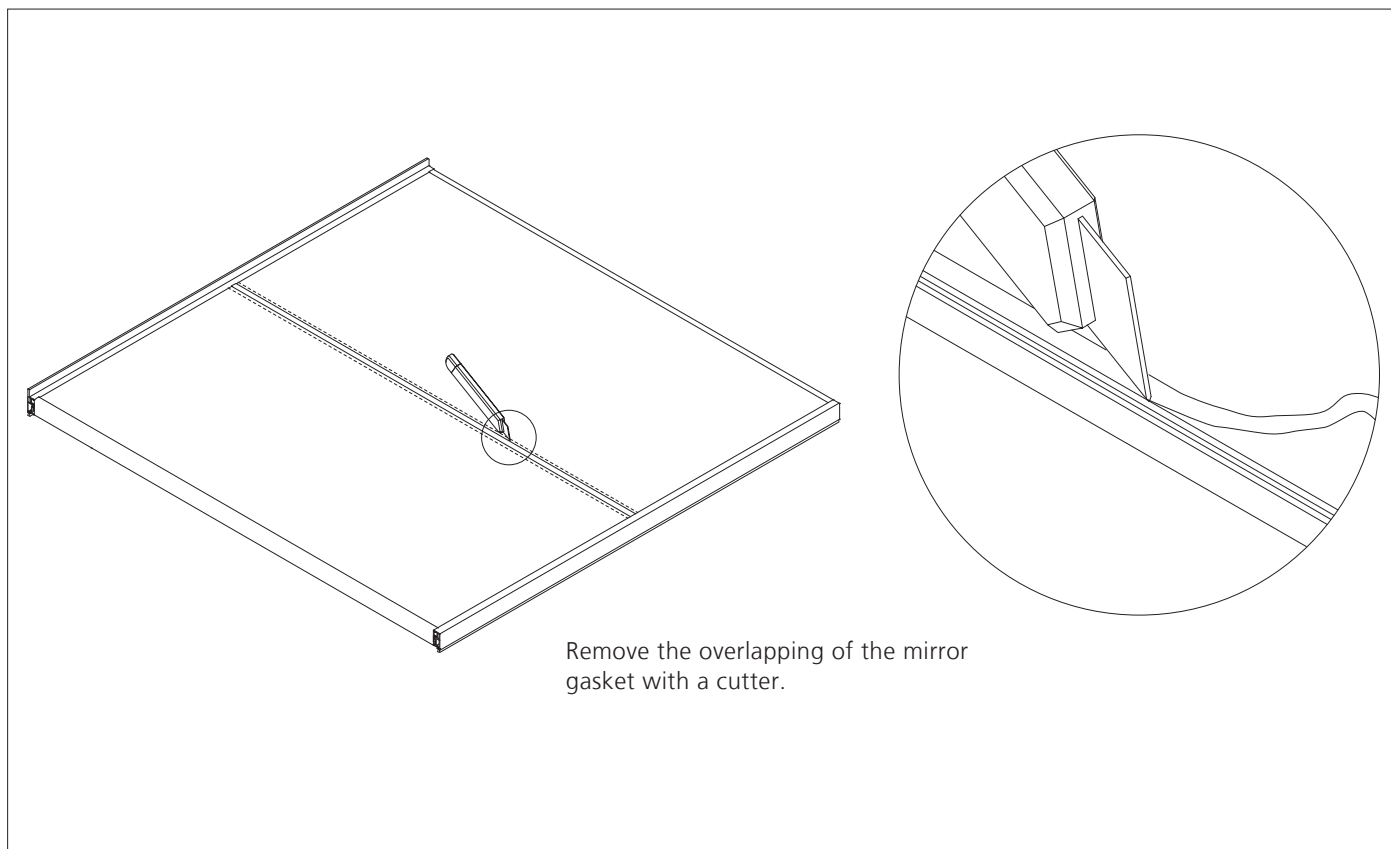
The vertical and horizontal profiles have to be tightened firmly by using the metal connectors (detail A).  
The dividing rails are to be fixed only with a screw (detail B).

**i** Before fastening finally put every screws loosely into the fittings.

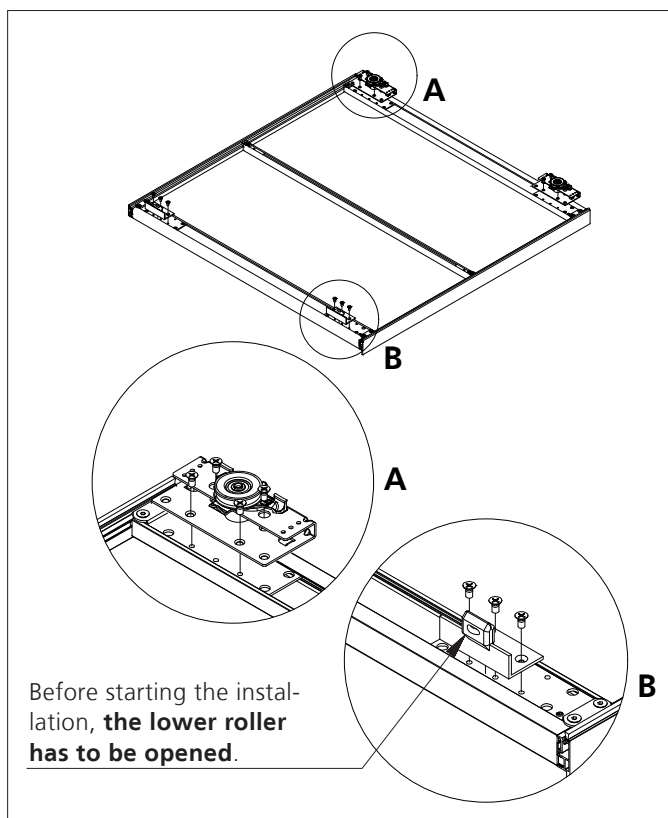
**4\_** Assembling the door (example interior door).

# ASSEMBLY INSTRUCTIONS

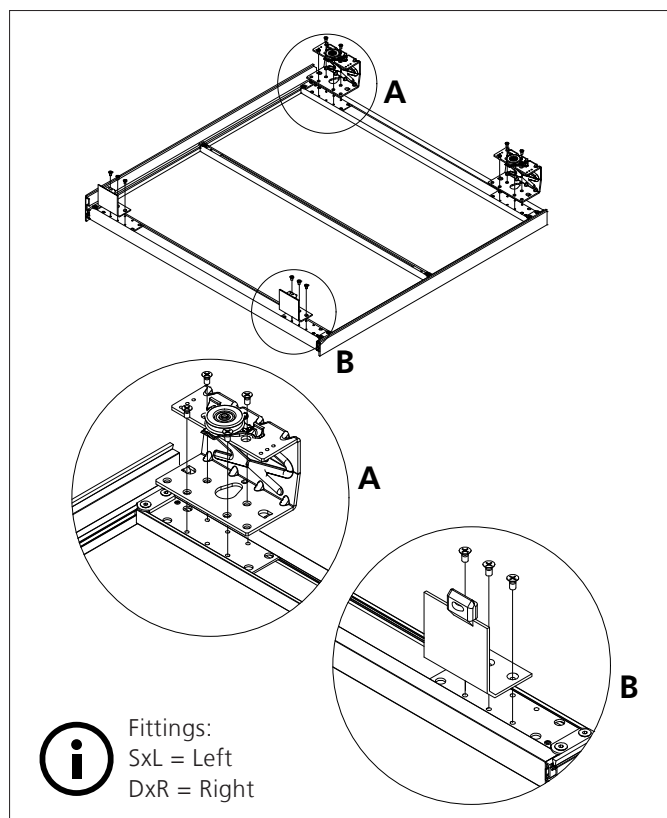
## DOORS



5\_ Gasket (example interior door).



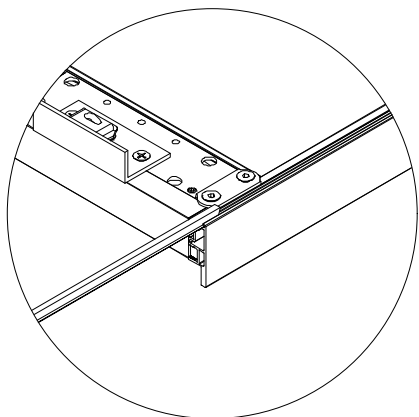
6\_ Assembly of upper and lower rollers (interior door).



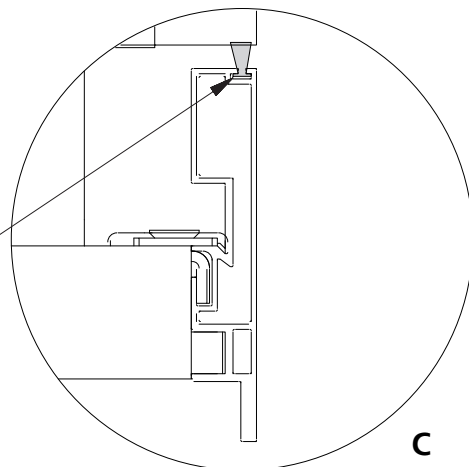
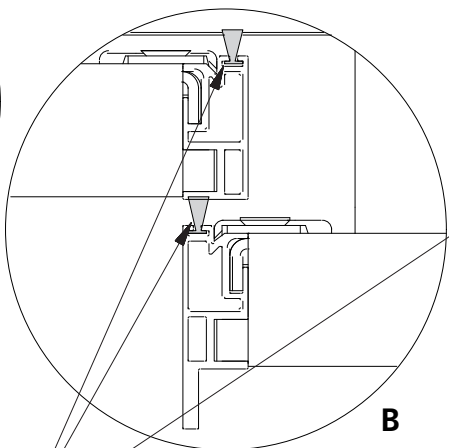
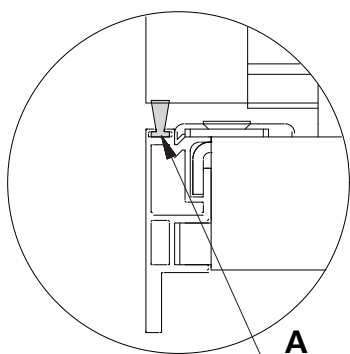
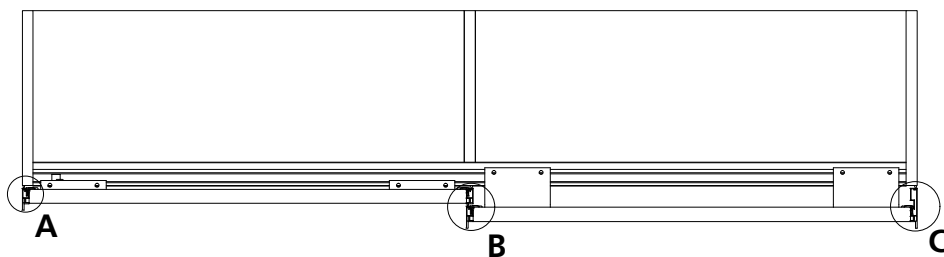
7\_ Assembly of upper and lower rollers (exterior door)

# ASSEMBLY INSTRUCTIONS

## INSERT THE DUST EXCLUDING BRUSH



Pull the dust excluding brush in the appropriate grooves.  
If necessary, use a pair of pliers.  
Cut the overlap with a cutter.



Dust excluding brush

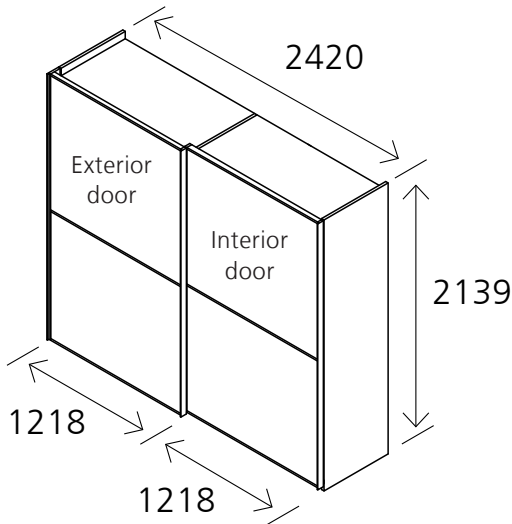
12\_ Position the dust excluding brush.

# PLANNING

## CALCULATION OF DOOR WIDTH



Note **position and designation** of the doors



Overall closet width: 2420 mm  
Determination of the door width:

**Overall width / 2 = x**

**Interior door:**  $x + 8 \text{ mm} = \text{door width}$

**Exterior door:**  $x + 8 \text{ mm} = \text{door width}$

The door overlap is **16 mm**

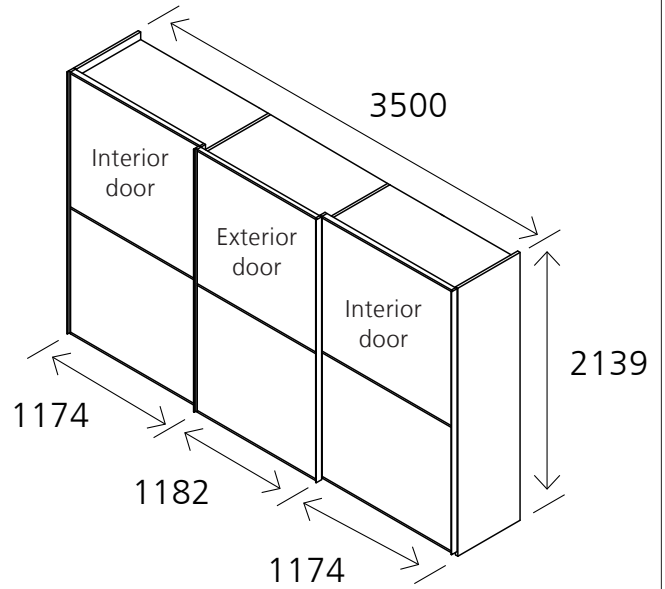
**Example calculation:**

$2420 / 2 = 1210 \text{ mm}$

Interior door:  $1210 \text{ mm} + 8 \text{ mm} = 1218 \text{ mm}$

Exterior door:  $1210 \text{ mm} + 8 \text{ mm} = 1218 \text{ mm}$

Door height = closet height - 35 mm



Overall closet width: 3500 mm  
Determination of the door width:

**Overall width / 3 = x**

**Interior door:**  $x + 8 \text{ mm} = \text{Türbreite}$

**Exterior door:**  $x + 16 \text{ mm} = \text{Türbreite}$

The door overlap is **16 mm**

**Example calculation:**

$3500 / 3 = 1166 \text{ mm}$

Interior door:  $1166 \text{ mm} + 8 \text{ mm} = 1174 \text{ mm}$

Exterior door:  $1166 \text{ mm} + 16 \text{ mm} = 1182 \text{ mm}$

Door height = closet height - 35 mm